

# ER20-1100

**EFORT**

**ER20-1100,**  
Maxium payload 20 kg with maxium reach 1143 mm.

■ **Highlights**

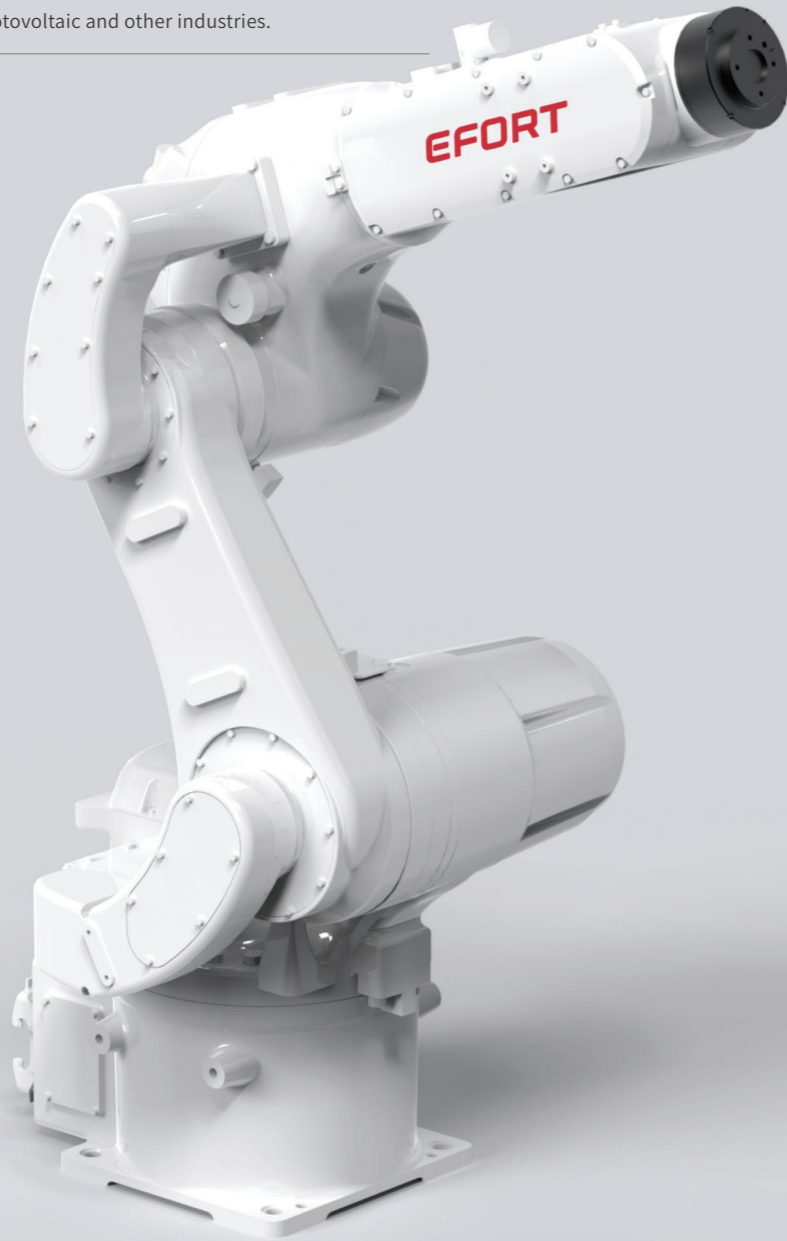
Thanks to the optimization of stiffness and inertia brought by the new mechanical design, with advanced trajectory algorithm. The takt improved by 20%-30%; 40% less monuting size of the base (comparing the previous types) plus compact cabinet design helps customers deploy the production line with more flexibility; IP67 wrist, high protection grade, to overcome harsh environment;

■ **Applications**

It can be used in handling operations, assembling, grinding, polishing, deburring, etc.

■ **Industries**

Suitable for PCB, metal parts, photovoltaic and other industries.

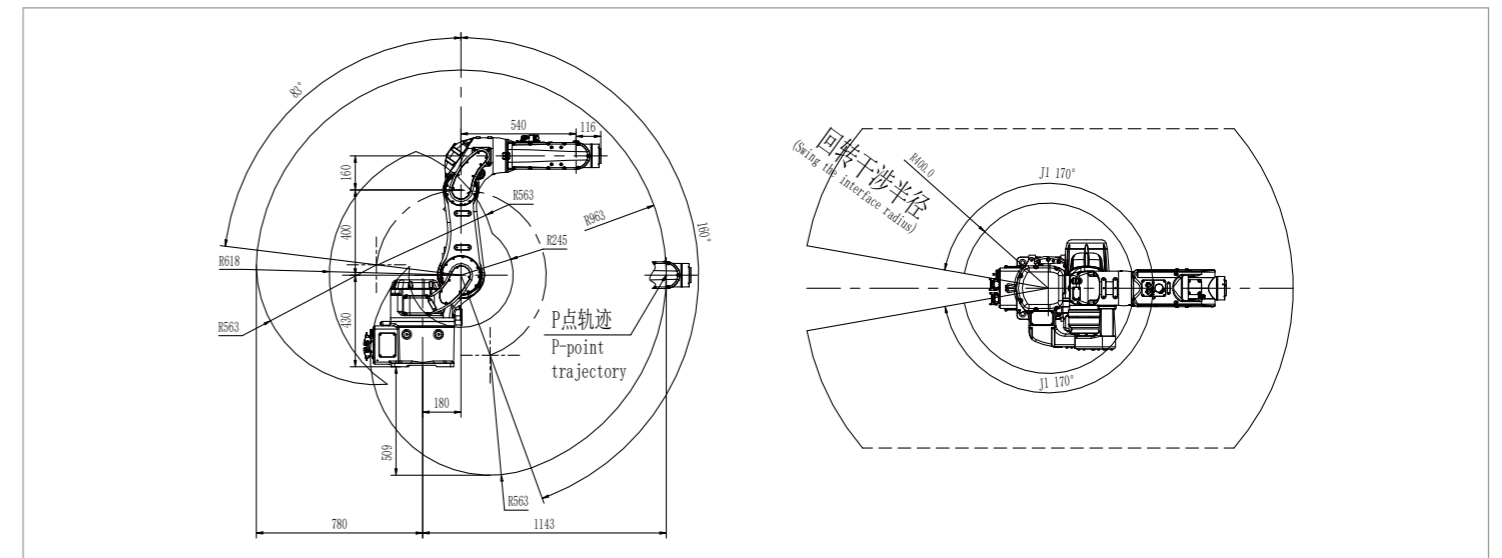


**SPECIFICATIONS**

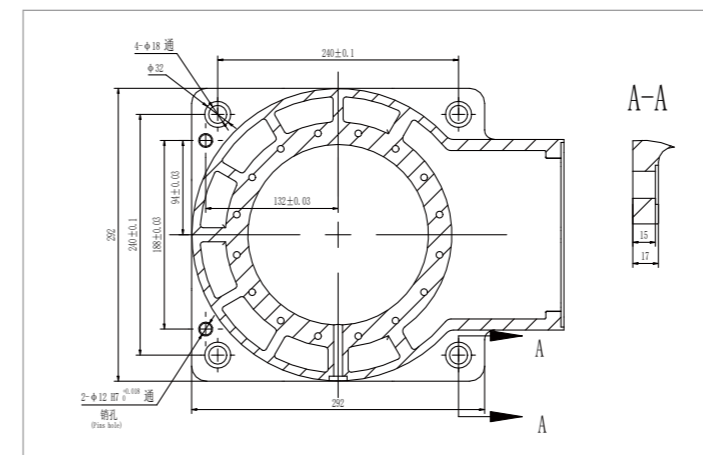
<b>Model</b>	ER20-1100	
<b>Type</b>	Articulated	
<b>Controlled axes</b>	6 Axes	
<b>Max. payload on wrist</b>	20 kg	
<b>Repeatability</b>	±0.03 mm	
<b>Robot weight</b>	145 kg	
<b>Reach</b>	1143 mm	
<b>Robot IP grade</b>	IP65/IP67 (Wrist)	
<b>Cabinet IP grade</b>	IP20/IP54 (Optional)	
<b>Drive mode</b>	AC servo drive	
<b>Installation</b>	Floor, Upside-down, Wall, Angle	
<b>Installation enviroment</b>	<b>Ambient temperature</b>	0~45 °C
	<b>Ambient humidity</b>	RH≤80% (No dew nor frost allowed)
	<b>Vibration acceleration</b>	4.9 m/s <sup>2</sup> (<0.5 G)

<b>Allowable load moment at wrist</b>	<b>J4</b>	42 N·m
	<b>J5</b>	42 N·m
	<b>J6</b>	20 N·m
<b>Allowable load inertia at wrist</b>	<b>J4</b>	2 kg·m <sup>2</sup>
	<b>J5</b>	2 kg·m <sup>2</sup>
	<b>J6</b>	0.7 kg·m <sup>2</sup>
<b>Maximum speed</b>	<b>J1</b>	260°/sec
	<b>J2</b>	255°/sec
	<b>J3</b>	210°/sec
	<b>J4</b>	450°/sec
	<b>J5</b>	450°/sec
	<b>J6</b>	600°/sec
<b>Motion range</b>	<b>J1</b>	±170°
	<b>J2</b>	+83°-160°
	<b>J3</b>	+175°-85°
	<b>J4</b>	±190°
	<b>J5</b>	±130°
	<b>J6</b>	±360°

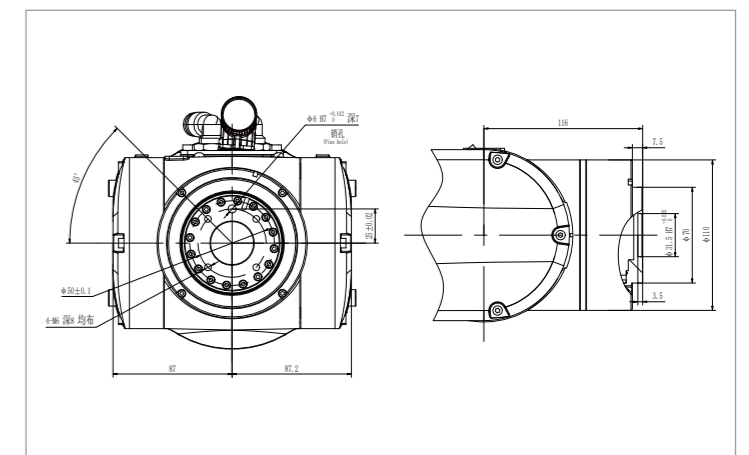
**OPERATING SPACE**



**BASE MOUNTING SIZE**



**END FLANGE MOUNTING SIZE**



**EFORT Intelligent Equipment Co., Ltd.**  
PHONE: (00 86) 400-052-8877  
ADDRESS: No.96 East Wanchun Road, China(Anhui) Pilot  
Free Trade Zone Wuhu Area, Wuhu, Anhui Province, China  
WWW.EFORT.COM.CN