

ER210-2700

EFORT

ER210-2700,
Maxium payload 210 kg with maxium reach 2674 mm.

■ **Highlights**

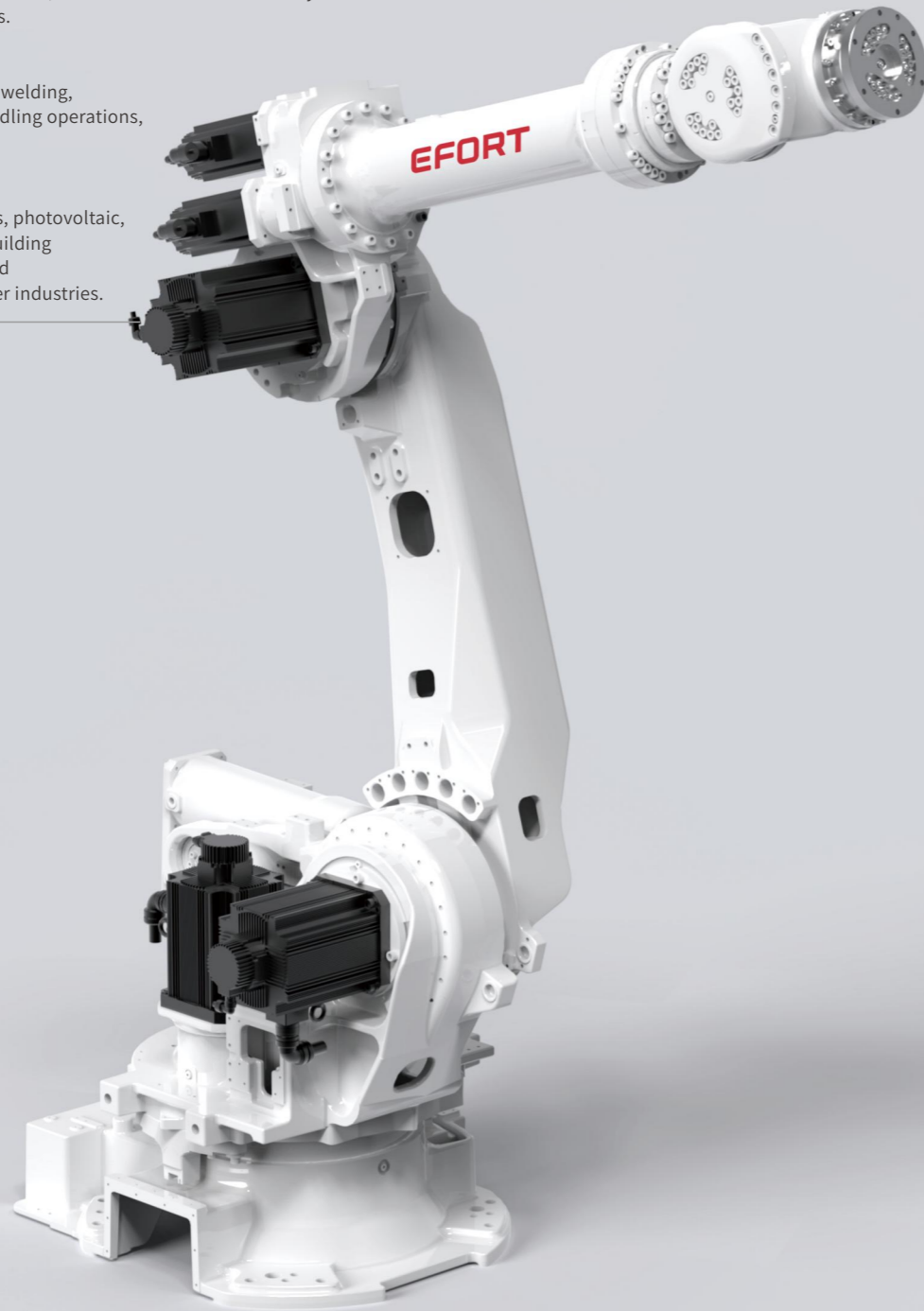
Thanks to the high stiffness structure, with high-speed intelligent palletizing application software, the takt is improved by 20%, bring customers more efficiency;
Multiple specific application software could be integrated, with soft PLC and a variety of field bus interface, which enable customers easily face various application challenges.

■ **Applications**

It can be used in Spot welding, SW-Stud welding, handling operations, palletizing, etc.

■ **Industries**

Suitable for auto parts, photovoltaic, food and beverage, building materials, logistics and warehousing and other industries.

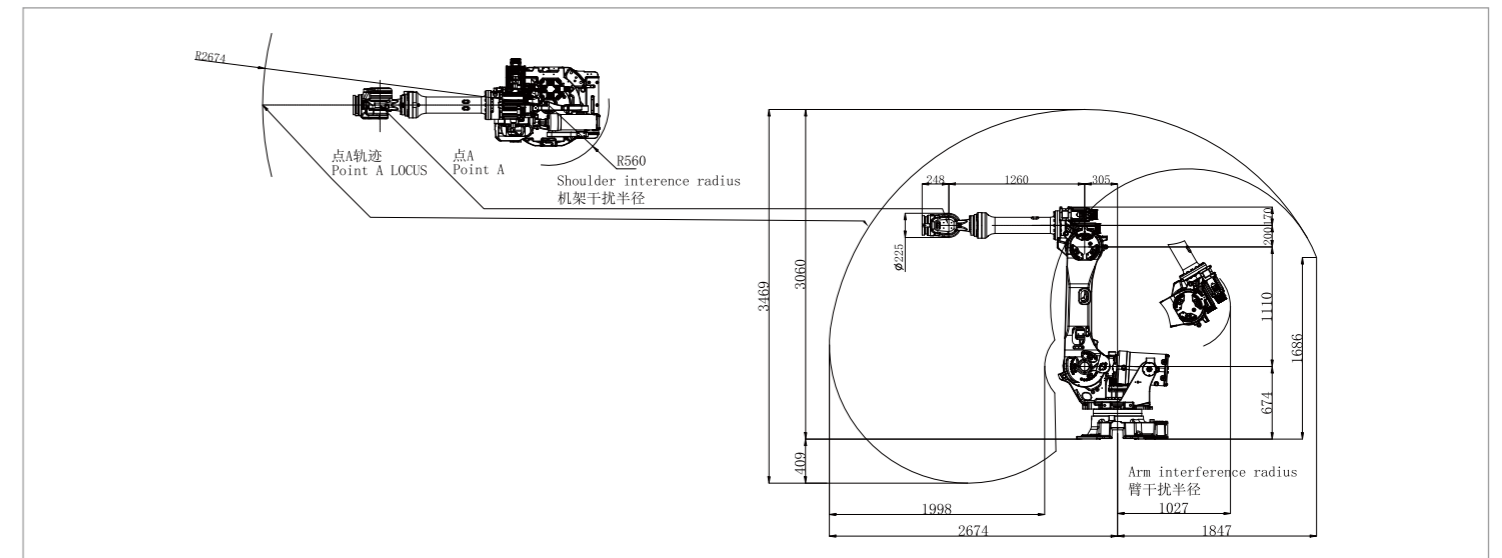


SPECIFICATIONS

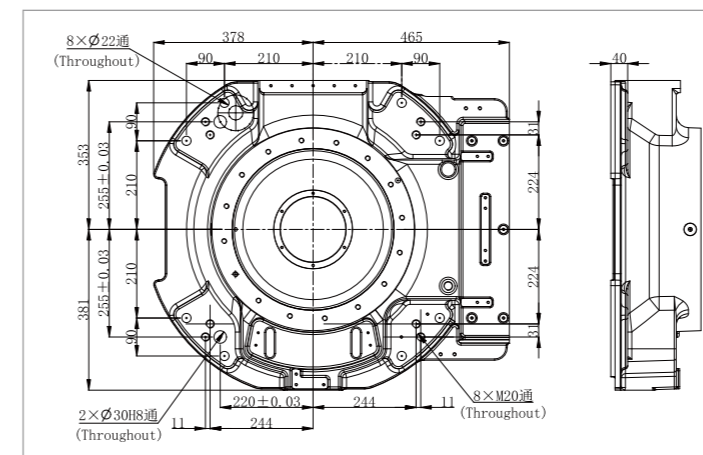
Model	ER210-2700	
Type	Articulated	
Controlled axes	6 Axes	
Max. payload on wrist	210 kg	
Repeatability	±0.1 mm	
Robot weight	1110 kg	
Reach	2674mm	
Robot IP grade	IP65	
Cabinet IP grade	IP54	
Drive mode	AC servo drive	
Installation	Floor	
Installation enviroment	Ambient temperature	0~45 °C
	Ambient humidity	RH≤80% (No dew nor frost allowed)
	Vibration acceleration	4.9 m/s ² (<0.5 G)

Allowable load moment at wrist	J4	1337 N·m
	J5	1337 N·m
	J6	720 N·m
Allowable load inertia at wrist	J4	141.1 kg·m ²
	J5	141.1 kg·m ²
	J6	79 kg·m ²
Maximum speed	J1	100°/sec
	J2	90°/sec
	J3	85°/sec
	J4	109°/sec
	J5	105°/sec
	J6	200°/sec
Motion range	J1	±180°
	J2	+60°/-80°
	J3	+90°/-83°
	J4	±360°
	J5	±120°
	J6	±360°

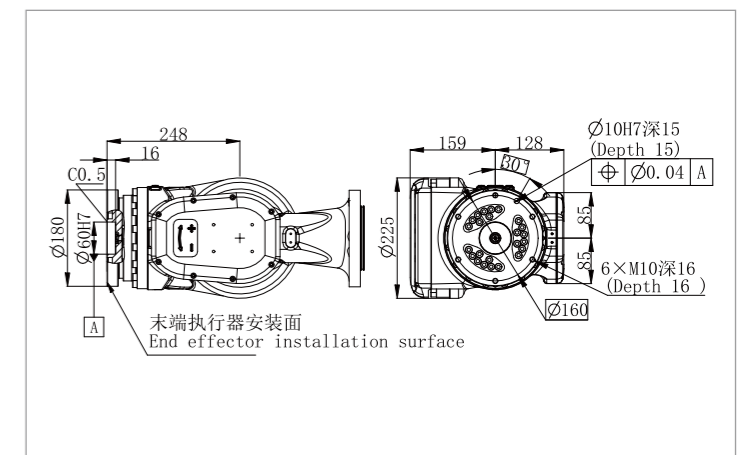
OPERATING SPACE



BASE MOUNTING SIZE



END FLANGE MOUNTING SIZE



EFORT Intelligent Equipment Co., Ltd.
PHONE: (00 86) 400-052-8877
ADDRESS: No.96 East Wanchun Road, China(Anhui) Pilot Free Trade Zone Wuhu Area, Wuhu, Anhui Province, China
WWW.EFORT.COM.CN