

EFORT

ESR10-800Z30

ESR10-800Z30,
Maxium payload 10 kg with maxium reach 800 mm.

■ Highlights

1. High rhythm and high precision
 The fastest standard cycle time can reach 0.46 s, and the robot positioning accuracy can reach 0.025 mm.
2. High rigidity and low vibration
 Robot body mode and rigidity enhancement, combined with vibration suppression and active vibration suppression functions, effectively reduce vibration.
3. Easy to maintain and scalable
 The detachable structure of cables and batteries allows for the replacement of robots inside the device, and the built-in camera network cable enables various communication extensions.

■ Applications

It can be used in handling, sorting, assembly, etc.

■ Industries

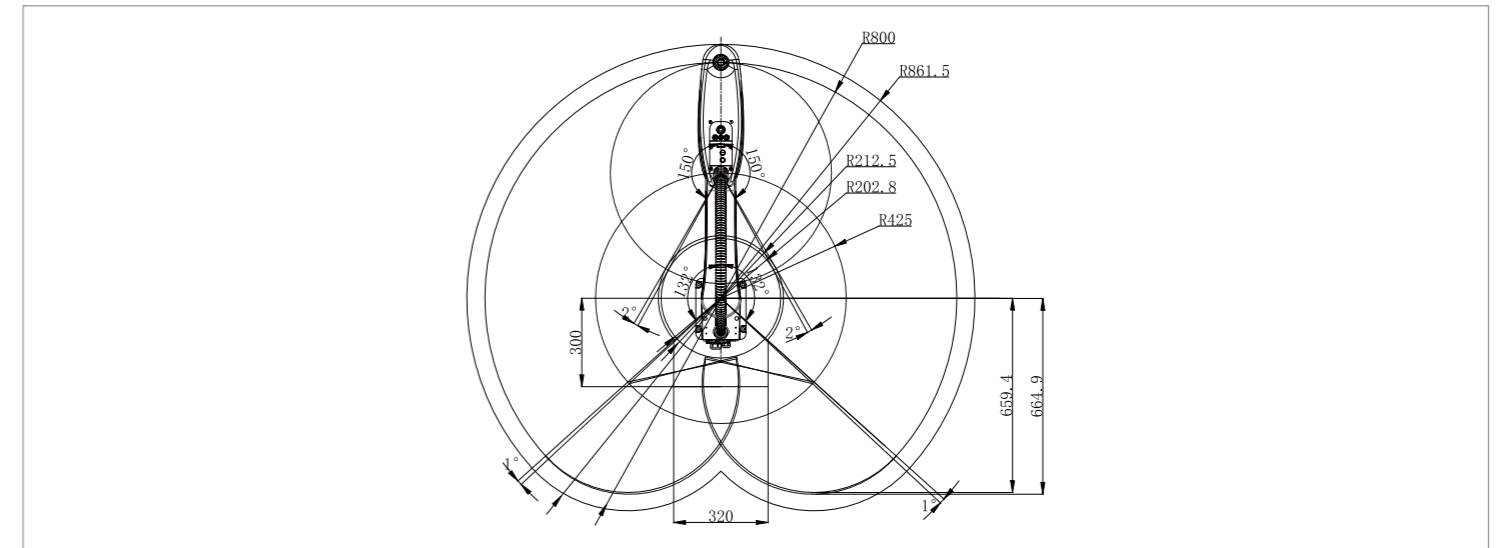
Suitable for industries such as electronic manufacturing, lithium batteries, automotive electronics, and photovoltaics.



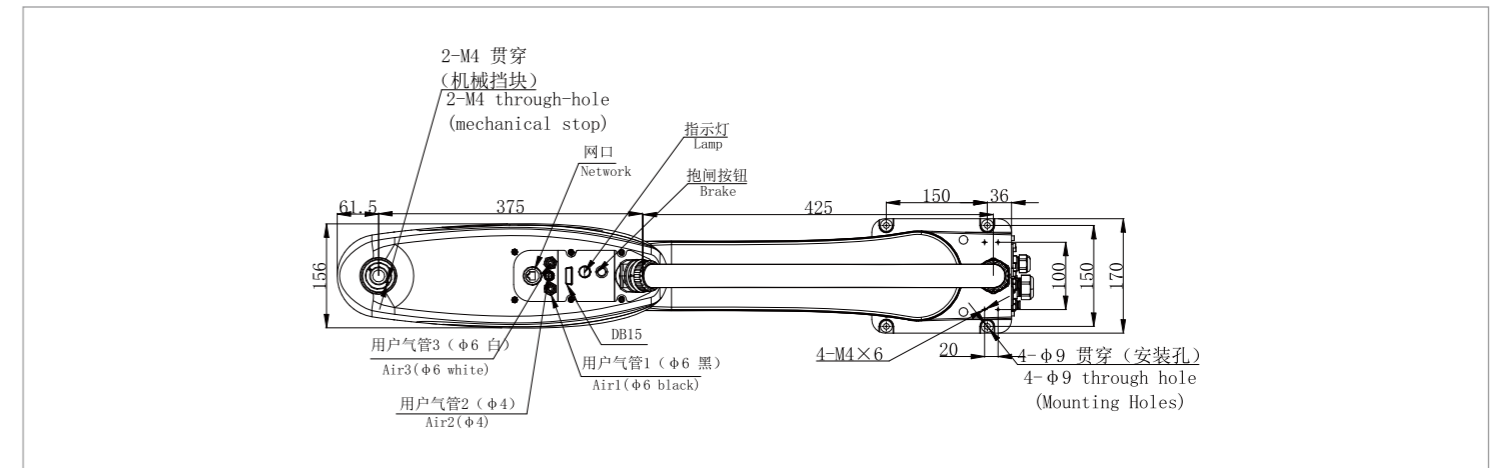
SPECIFICATIONS

Model		ESR10-800Z30
Reach		800 mm
Max. payload on wrist	Rated	5 kg
	Maximum	10 kg
Robot weight		24.5 kg
Maximum speed	J1+J2	9800 mm/sec
	J3	1500 mm/sec
	J4	2000°/sec
Motion range	J1	±132°
	J2	±150°
	J3	300 mm
	J4	±360°
Repeatability	J1+J2	±0.025 mm
	J3	±0.01 mm
	J4	±0.01°
Standard cycle time		0.46 s
J4 allowable moment of inertia	Rated	0.02 kg·m ²
	Maximum	0.3 kg·m ²
Electric lines		D-Sub 15-Pin
Pneumatic lines		φ4 mmx1, φ6 mmx2
J3 downward force		200 N
Installation		Floor
Installation enviroment	Ambient temperature	5~40°C
	Ambient humidity	RH≤80% (No dew nor frost allowed)

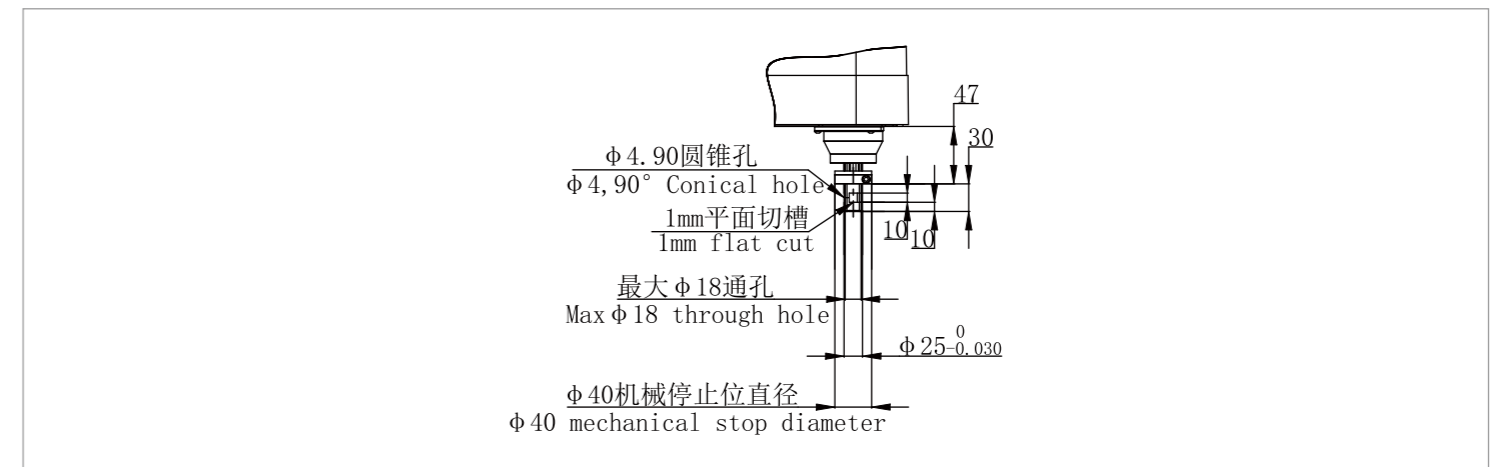
OPERATING SPACE



BASE MOUNTING SIZE



END FLANGE MOUNTING SIZE



Information Release Time 2024/09

PHONE: (00 86) 400-052-8877
 ADDRESS: No.96 East Wanchun Road, China(Anhui) Pilot
 Free Trade Zone Wuhu Area, Wuhu, Anhui Province, China
 WWW.EFORT.COM.CN

EFORT Intelligent Equipment Co., Ltd.