

# ER230-3100

**EFORT**

**ER230-3100,**  
Maxium payload 230 kg with maxium reach 3098 mm.

■ **Highlights**

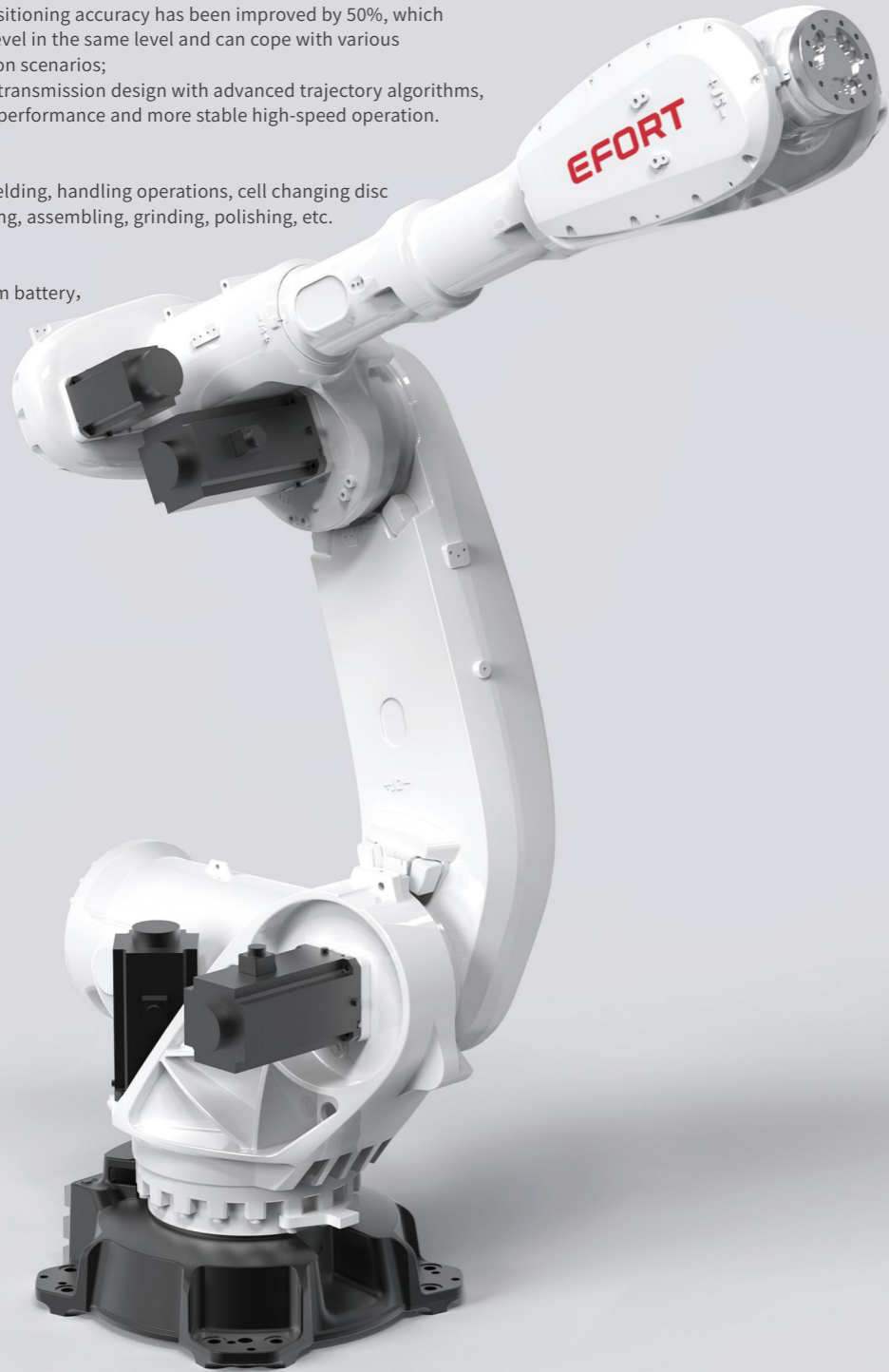
A brand new heavy-duty platform product, with all shafts connected by rigid gears, providing superior torque performance for the robot wrist; The robot's repeated positioning accuracy has been improved by 50%, which belongs to the leading level in the same level and can cope with various high-precision application scenarios; Combining high rigidity transmission design with advanced trajectory algorithms, it has stronger dynamic performance and more stable high-speed operation.

■ **Applications**

It can be used in Spot welding, handling operations, cell changing disc and group disc, palletizing, assembling, grinding, polishing, etc.

■ **Industries**

Suitable for auto, Lithium battery, photovoltaic, food and beverage, building materials, logistics and warehousing and other industries.

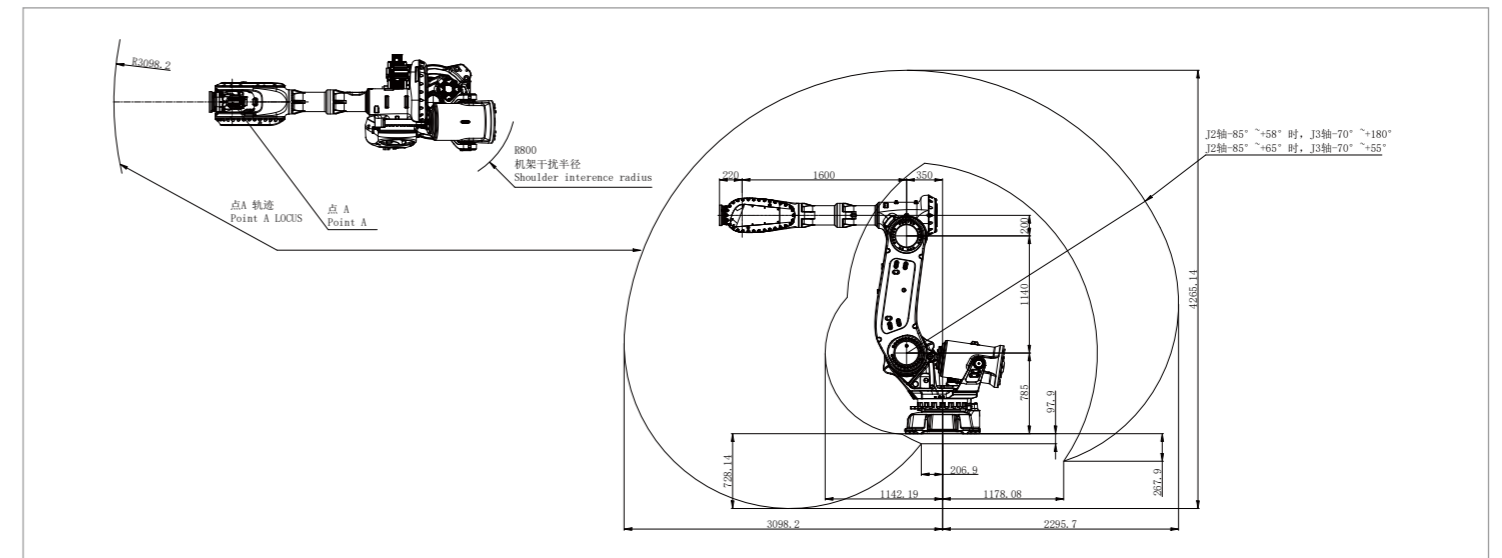


**SPECIFICATIONS**

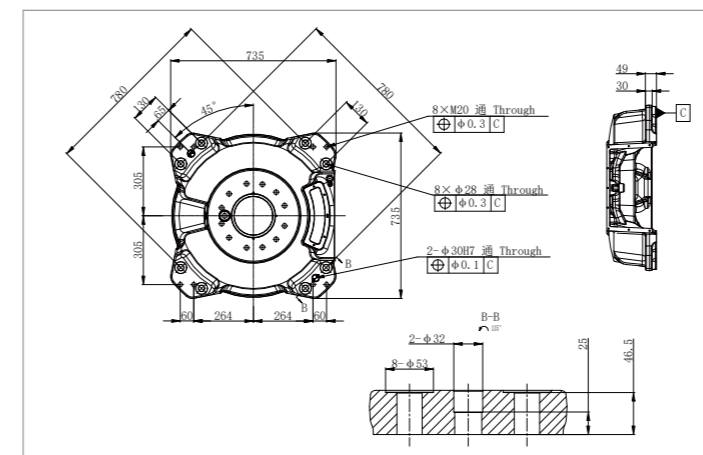
<b>Model</b>	ER230-3100	
<b>Type</b>	Articulated	
<b>Controlled axes</b>	6 Axes	
<b>Max. payload on wrist</b>	230 kg	
<b>Repeatability</b>	±0.05 mm	
<b>Robot weight</b>	1600 kg	
<b>Reach</b>	3098 mm	
<b>Robot IP grade</b>	IP65	
<b>Cabinet IP grade</b>	IP54	
<b>Drive mode</b>	AC servo drive	
<b>Installation</b>	Floor	
<b>Installation enviroment</b>	<b>Ambient temperature</b>	0~45 °C
	<b>Ambient humidity</b>	RH≤80% (No dew nor frost allowed)
	<b>Vibration acceleration</b>	4.9 m/s <sup>2</sup> (<0.5 G)

<b>Allowable load moment at wrist</b>	<b>J4</b>	1830 N·m
	<b>J5</b>	1830 N·m
	<b>J6</b>	900 N·m
<b>Allowable load inertia at wrist</b>	<b>J4</b>	325 kg·m <sup>2</sup>
	<b>J5</b>	325 kg·m <sup>2</sup>
	<b>J6</b>	230 kg·m <sup>2</sup>
<b>Maximum speed</b>	<b>J1</b>	105°/sec
	<b>J2</b>	100°/sec
	<b>J3</b>	110°/sec
	<b>J4</b>	140°/sec
	<b>J5</b>	110°/sec
	<b>J6</b>	180°/sec
<b>Motion range</b>	<b>J1</b>	±185°
	<b>J2</b>	+65°-85°
	<b>J3</b>	+180°-70°
	<b>J4</b>	±360°
	<b>J5</b>	±130°
	<b>J6</b>	±360°

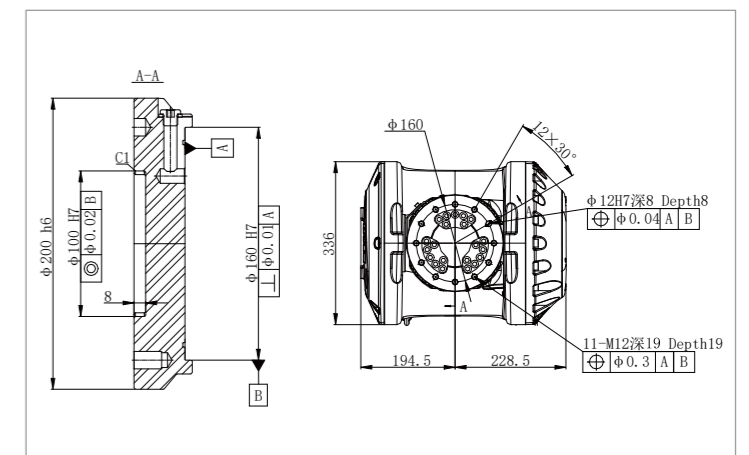
**OPERATING SPACE**



**BASE MOUNTING SIZE**



**END FLANGE MOUNTING SIZE**



**EFORT INTELLIGENT EQUIPMENT CO.,LTD.**  
PHONE: (00 86) 400-052-8877  
ADDRESS: No.96 East Wanchun Road, China(Anhui) Pilot  
Free Trade Zone Wuhu Area, Wuhu, Anhui Province, China  
WWW.EFORT.COM.CN