

EFORT

ESR5-4-550T

ESR5-4-550T,
Maxium payload 5 kg with maxium reach 550 mm.

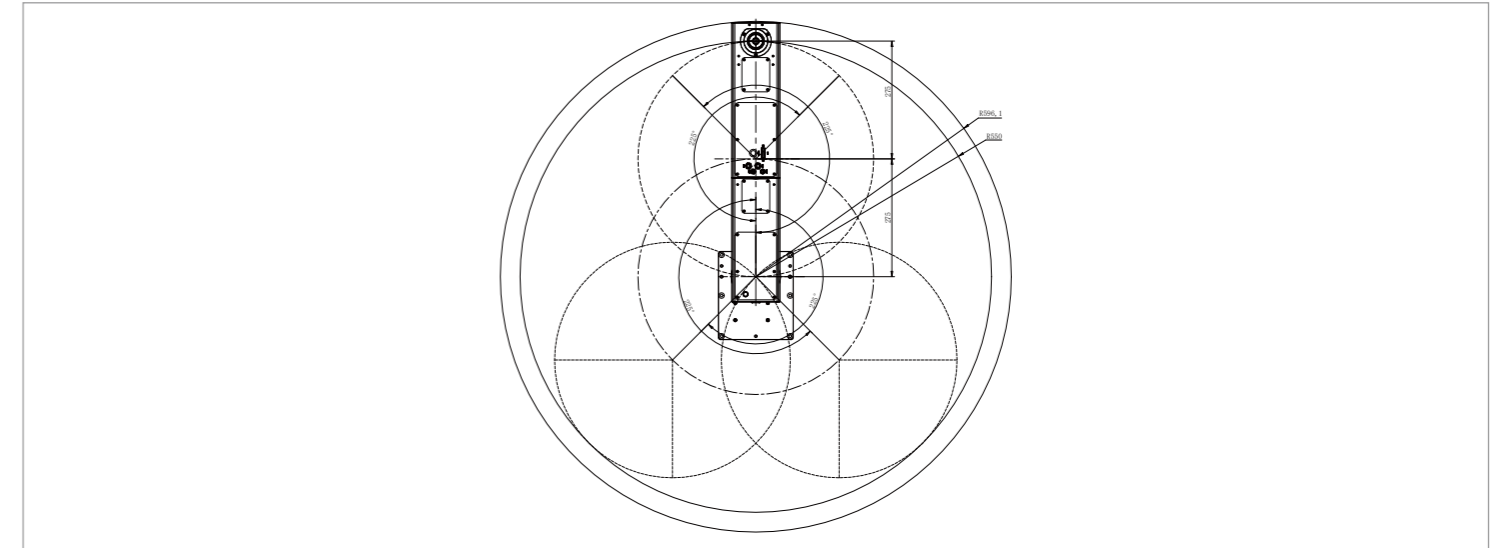
- **Highlights**
 1. High rhythm and high precision
The fastest standard cycle time can reach 0.364 s, and the robot positioning accuracy can reach 0.015 mm.
 2. High rigidity and low vibration
Robot body mode and rigidity enhancement, combined with vibration suppression and active vibration suppression functions, effectively reduce vibration.
 3. Easy to maintain and scalable
The detachable structure of cables and batteries allows for the replacement of robots inside the device, and the built-in camera network cable enables various communication extensions.
- **Applications**
It can be used in handling, sorting, assembly, etc.
- **Industries**
Suitable for industries such as 3C electronics, lithium batteries, automotive electronics, and photovoltaics.



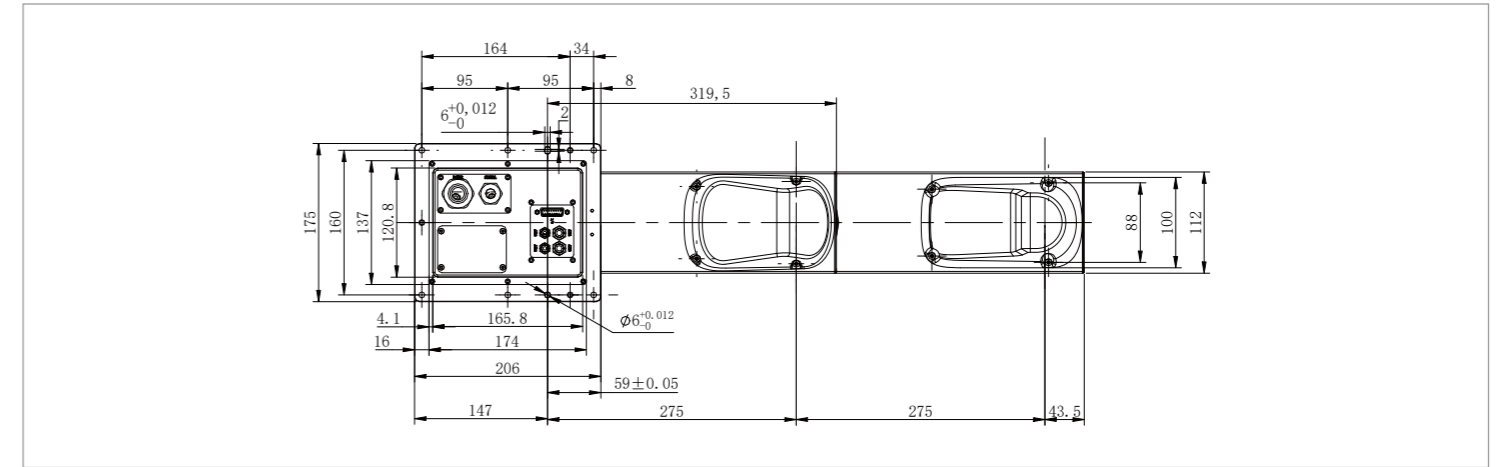
SPECIFICATIONS

Model		ESR5-4-550T
Reach		550 mm
Max. payload on wrist	Rated	2 kg
	Maximum	5 kg
Robot weight		20 kg
Maximum speed	J1+J2	7400 mm/sec
	J3	1100 mm/sec
	J4	2600°/sec
Motion range	J1	±225°
	J2	±225°
	J3	150 mm
	J4	±720°
Repeatability	J1+J2	±0.015 mm
	J3	±0.01 mm
	J4	±0.01°
Standard cycle time		0.364 s
J4 allowable moment of inertia	Rated	0.005 kg·m ²
	Maximum	0.05 kg·m ²
Electric lines		D-Sub 15-Pin
Pneumatic lines		φ4 mmx2, φ6 mmx2
J3 downward force		150 N
Installation		Floor
Installation enviroment	Ambient temperature	5~40°C
	Ambient humidity	RH≤80% (No dew nor frost allowed)

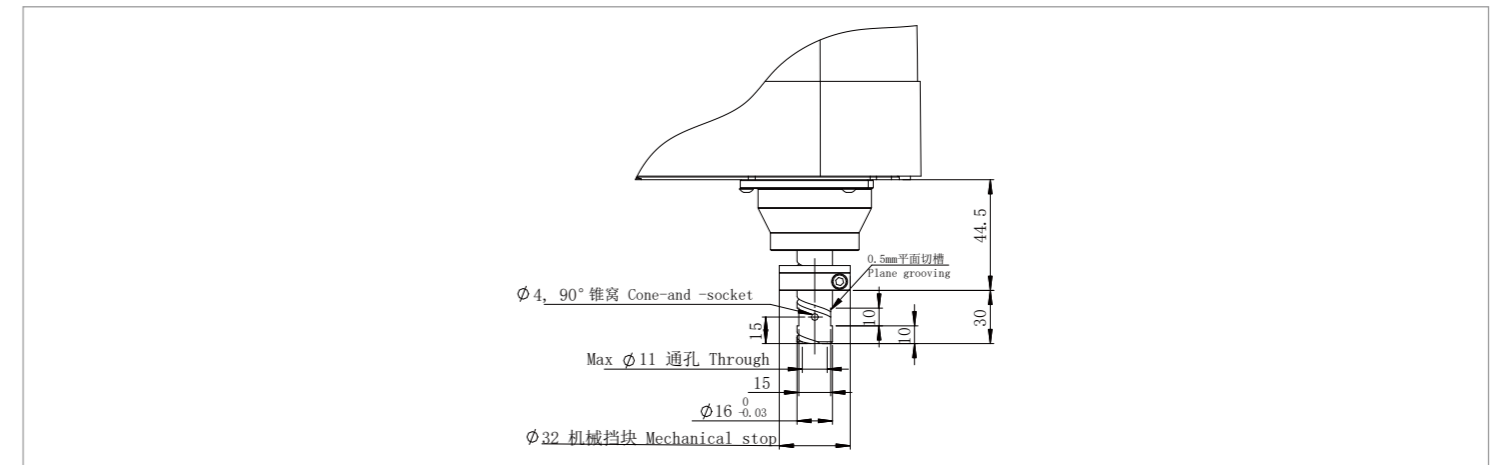
OPERATING SPACE



BASE MOUNTING SIZE



END FLANGE MOUNTING SIZE



Information Release Time 2024/05

PHONE: (00 86) 400-052-8877
 ADDRESS: No.96 East Wanchun Road, China(Anhui) Pilot
 Free Trade Zone Wuhu Area, Wuhu, Anhui Province, China
 WWW.EFORT.COM.CN

EFORT INTELLIGENT EQUIPMENT CO.,LTD.