

ER150-3200

EFORT

ER150-3200,
Maxium payload 150 kg with maxium reach 3192 mm.

■ **Highlights**

Thanks to the high stiffness structure, with high-speed intelligent palletizing application software, the takt is improved by 20%, bring customers more efficiency;
Multiple specific application software could be integrated, with soft PLC and a variety of field bus interface, which enable customers easily face various application challenges;
High performance collision detection function helps safety realization.

■ **Applications**

It can be used in handling operations, palletizing, etc.

■ **Industries**

Suitable for auto parts, photovoltaic, food and beverage, building materials, logistics and warehousing and other industries.



EFORT INTELLIGENT EQUIPMENT CO.,LTD.

PHONE: (00 86) 400-052-8877

ADDRESS: No.96 East Wanchun Road, China(Anhui) Pilot

Free Trade Zone Wuhu Area, Wuhu, Anhui Province, China

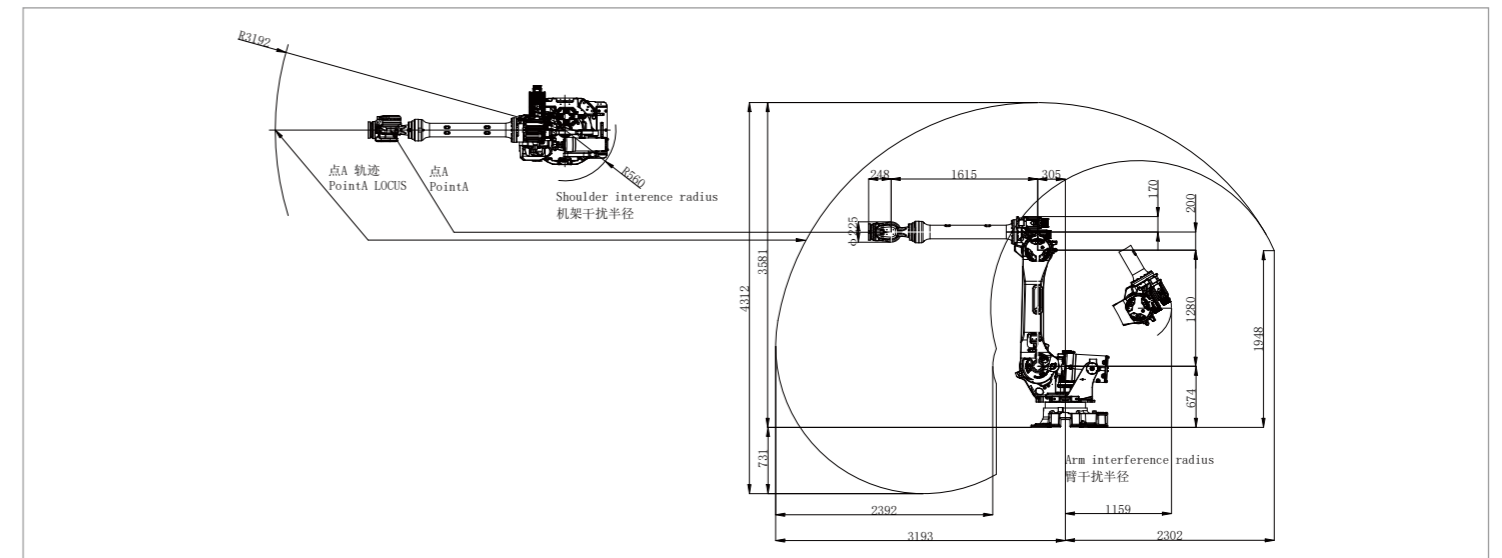
WWW.EFORT.COM.CN

SPECIFICATIONS

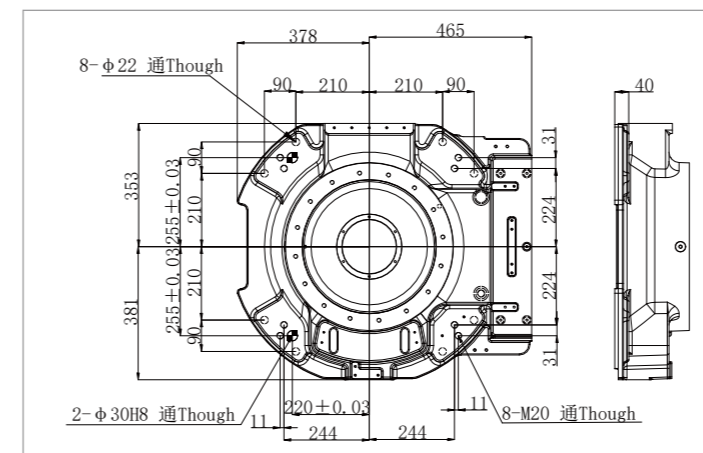
Model	ER150-3200	
Type	Articulated	
Controlled axes	6 Axes	
Max. payload on wrist	150 kg	
Repeatability	±0.2 mm	
Robot weight	1160 kg	
Reach	3192 mm	
Robot IP grade	IP65	
Cabinet IP grade	IP54	
Drive mode	AC servo drive	
Installation	Floor	
Installation enviroment	Ambient temperature	0~45 °C
	Ambient humidity	RH≤80% (No dew nor frost allowed)
	Vibration acceleration	4.9 m/s ² (<0.5 G)

Allowable load moment at wrist	J4	1337 N·m
	J5	1337 N·m
	J6	720 N·m
Allowable load inertia at wrist	J4	141.1 kg·m ²
	J5	141.1 kg·m ²
	J6	79 kg·m ²
Maximum speed	J1	100%/sec
	J2	90%/sec
	J3	85%/sec
	J4	105%/sec
	J5	100%/sec
	J6	195%/sec
Motion range	J1	±180°
	J2	+60°-80°
	J3	+90°-83°
	J4	±360°
	J5	±120°
	J6	±360°

OPERATING SPACE



BASE MOUNTING SIZE



END FLANGE MOUNTING SIZE

