

ER15H-1400

EFORT

ER15H-1400,
Maxium payload 15 kg with maxium reach 1479 mm.

Highlights

Thanks to the large and hollow design, the cable can be routed in a hollow way, effectively improving the service life of the cable, and the posture change in a narrow space is more flexible;
High-rigid gearbox with strong impact resistance helps customers challenge various application scenarios;
Thanks to the high stiffness transmission design and advanced trajectory algorithm, the improved robot accuracy performance helps customers to face variety of application scenarios.

Applications

It can be used in handling operations, sorting, grinding, polishing, etc.

Industries

Suitable for metal parts, photovoltaic, logistics, beverage and other industries.

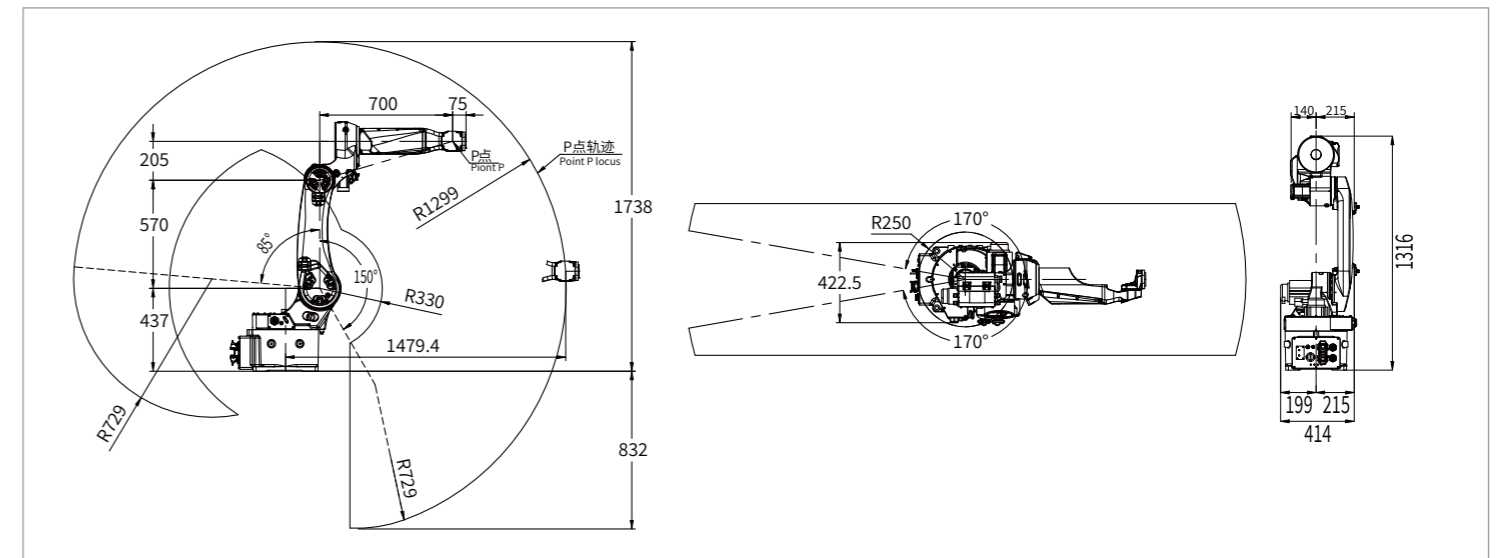


SPECIFICATIONS

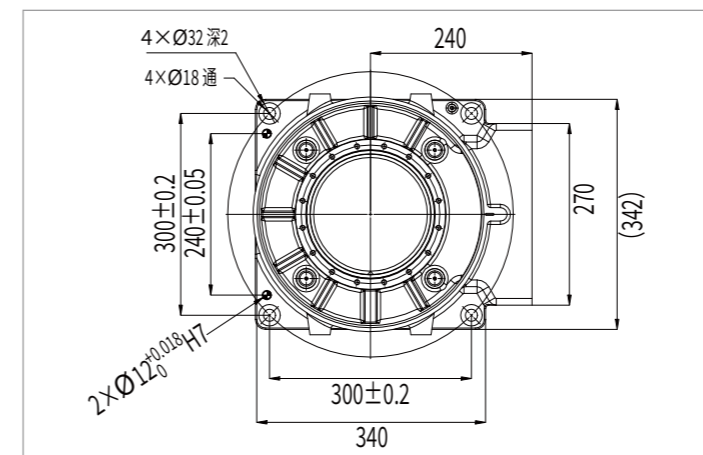
Model	ER15H-1400	
Type	Articulated	
Controlled axes	6 Axes	
Max. payload on wrist	15 kg	
Repeatability	±0.03 mm	
Robot weight	165 kg	
Reach	1479 mm	
Robot IP grade	IP54 / IP67 (Wrist)	
Cabinet IP grade	IP20/ IP54 (Optional)	
Drive mode	AC servo drive	
Installation	Floor, Upside-down, Wall	
Installation enviroment	Ambient temperature	0~45 °C
	Ambient humidity	RH≤80% (No dew nor frost allowed)
	Vibration acceleration	4.9 m/s ² (<0.5 G)

Allowable load moment at wrist	J4	26 N·m
	J5	26 N·m
	J6	11 N·m
Allowable load inertia at wrist	J4	0.9 kg·m ²
	J5	0.9 kg·m ²
	J6	0.3 kg·m ²
Maximum speed	J1	265°/sec
	J2	255°/sec
	J3	270°/sec
	J4	450°/sec
	J5	450°/sec
	J6	700°/sec
Motion range	J1	±170°
	J2	+85°/-150°
	J3	+175°/-85°
	J4	±190°
	J5	±190°(The connect outside robot body.) ±140°(The connect inside robot body.)
	J6	±450°(The connect outside robot body.) ±220°(The connect inside robot body.)

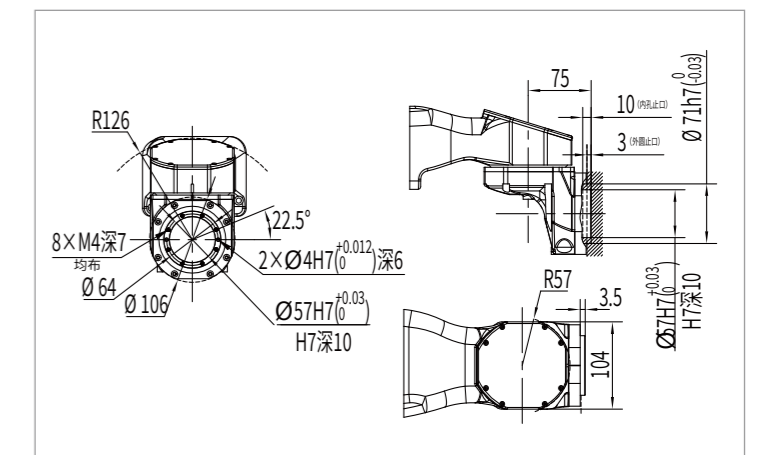
OPERATING SPACE



BASE MOUNTING SIZE



END FLANGE MOUNTING SIZE



EFORT INTELLIGENT EQUIPMENT CO.,LTD.

PHONE: (00 86) 400-052-8877

ADDRESS: No.96 East Wanchun Road, China(Anhui) Pilot

Free Trade Zone Wuhu Area, Wuhu, Anhui Province, China

WWW.EFORT.COM.CN