

# ER12H-1600

EFORT

ER12H-1600,  
Maxium payload 12 kg with maxium reach 1604 mm.

## Highlights

Thanks to the large and hollow design, the cable can be routed in a hollow way, effectively improving the service life of the cable, and the posture change in a narrow space is more flexible;  
High-rigid gearbox with strong impact resistance helps customers challenge various application scenarios;  
Thanks to the high stiffness transmission design and advanced trajectory algorithm, the improved robot accuracy performance helps customers to face variety of application scenarios.

## Applications

It can be used in handling operations, sorting, grinding, polishing, etc.

## Industries

Suitable for metal parts, logistics and other industries.

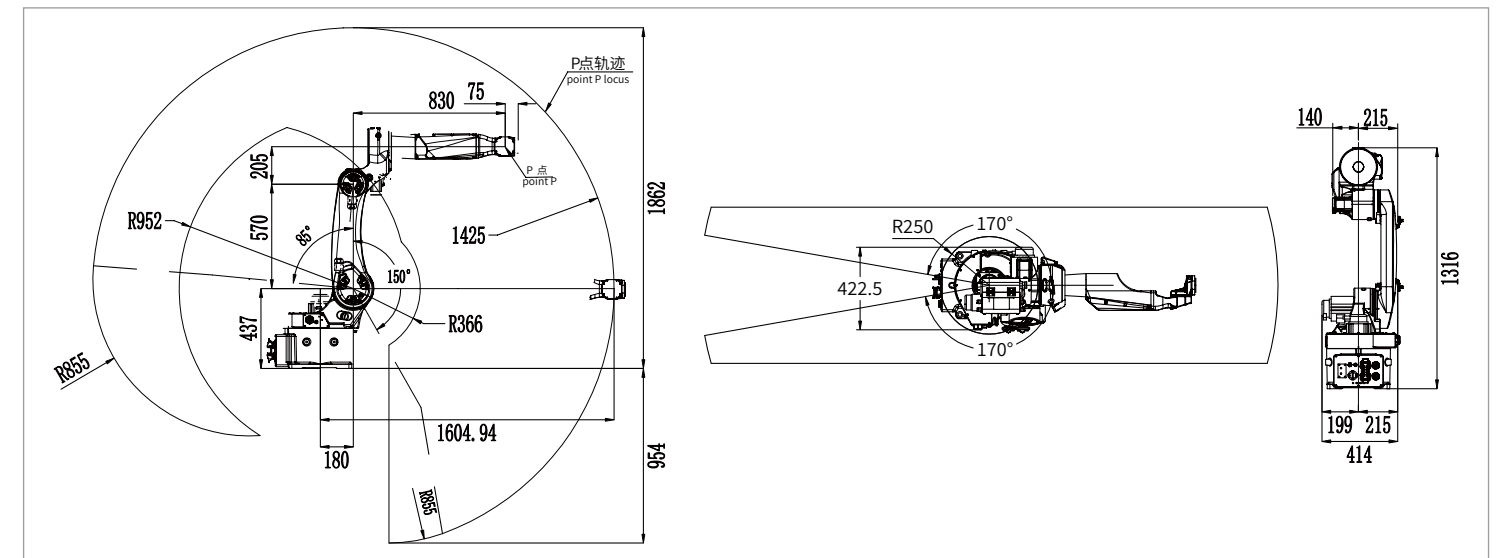


## SPECIFICATIONS

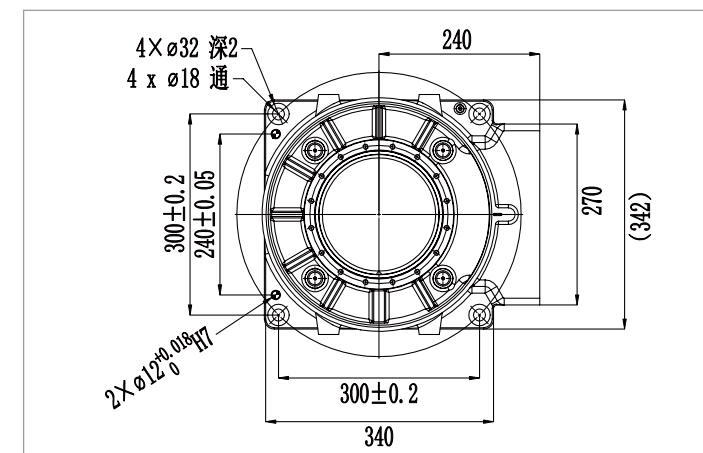
Model	ER12H-1600	
Type	Articulated	
Controlled axes	6 Axes	
Max. payload on wrist	12 kg	
Repeatability	±0.03 mm	
Robot weight	170 kg	
Reach	1604 mm	
Robot IP grade	IP54 / IP67 (Wrist)	
Cabinet IP grade	IP20/ IP54 (Optional)	
Drive mode	AC servo drive	
Installation	Floor, Upside-down, Wall	
Installation enviroment	Ambient temperature	0~45 °C
	Ambient humidity	RH≤80% (No dew nor frost allowed)
	Vibration acceleration	4.9 m/s <sup>2</sup> (<0.5 G)

Allowable load moment at wrist	J4	22 N·m
	J5	22 N·m
	J6	9.8 N·m
Allowable load inertia at wrist	J4	0.65 kg·m <sup>2</sup>
	J5	0.65 kg·m <sup>2</sup>
	J6	0.17 kg·m <sup>2</sup>
Maximum speed	J1	265°/sec
	J2	255°/sec
	J3	270°/sec
	J4	450°/sec
	J5	450°/sec
	J6	700°/sec
Motion range	J1	±170°
	J2	+85°/-150°
	J3	+175°/-85°
	J4	±190°
	J5	±190°(The connect outside robot body.) ±140°(The connect inside robot body.)
	J6	±450°(The connect outside robot body.) ±220°(The connect inside robot body.)

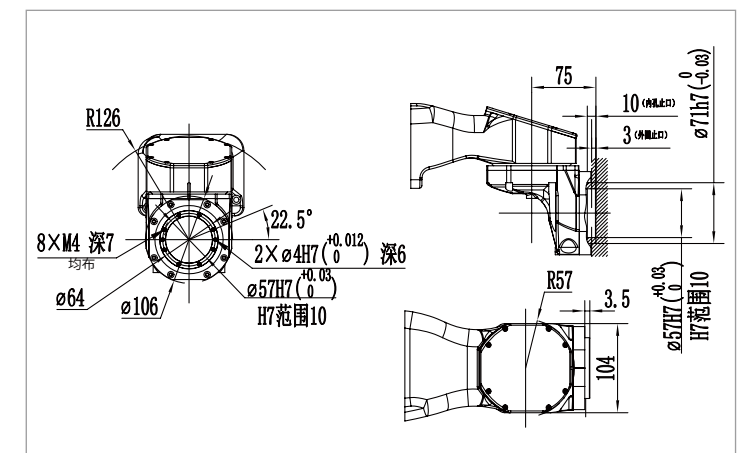
## OPERATING SPACE



## BASE MOUNTING SIZE



## END FLANGE MOUNTING SIZE



EFORT INTELLIGENT EQUIPMENT CO.,LTD.

PHONE: (00 86) 400-052-8877

ADDRESS: No.96 East Wanchun Road, China(Anhui) Pilot

Free Trade Zone Wuhu Area, Wuhu, Anhui Province, China

WWW.EFORT.COM.CN