

EFORT

ESR20-4-1000

ESR20-4-1000,
Maxium payload 20 kg with maxium reach 1000 mm.

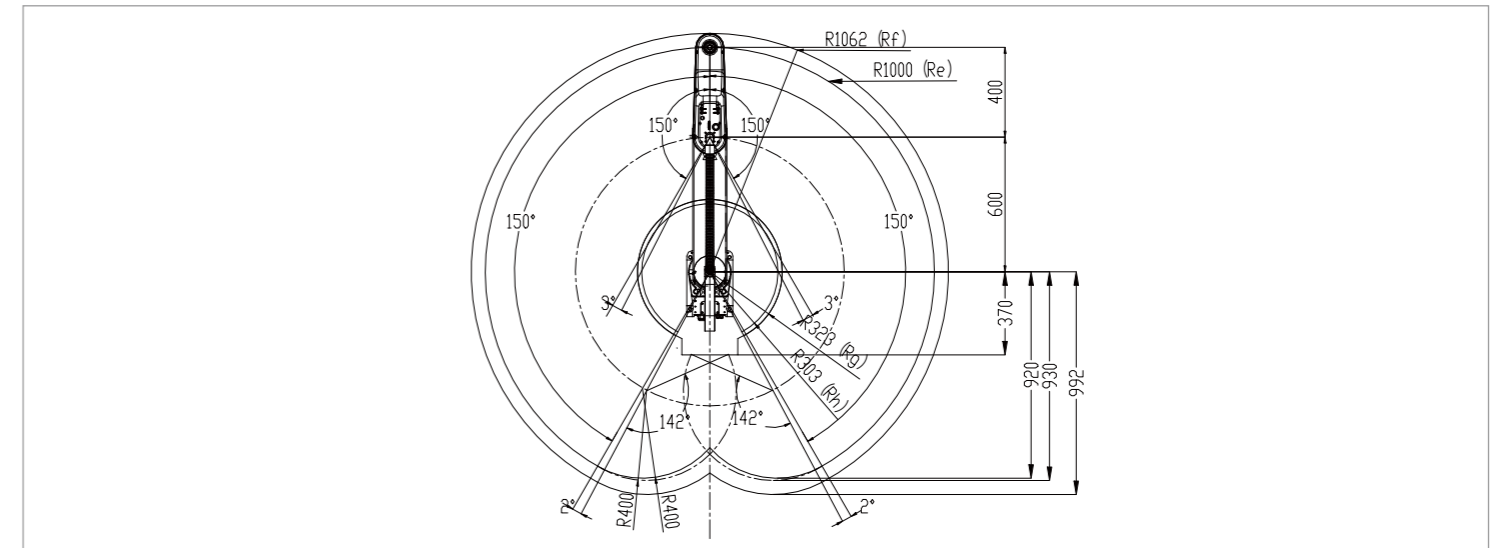
- **Highlights**
 Upgraded in reliability, versatility and user-friendliness;
 Features for high-precision assembly and high speed sorting applications;
 The acceleration and deceleration can be automatically optimized with the assessment of the load and orientation to improve production efficiency.
- **Applications**
 It can be used in handling, sorting, assembly, etc.
- **Industries**
 Suitable for 3C, food and beverage, metal parts, education, plastics, pharmaceuticals, etc.



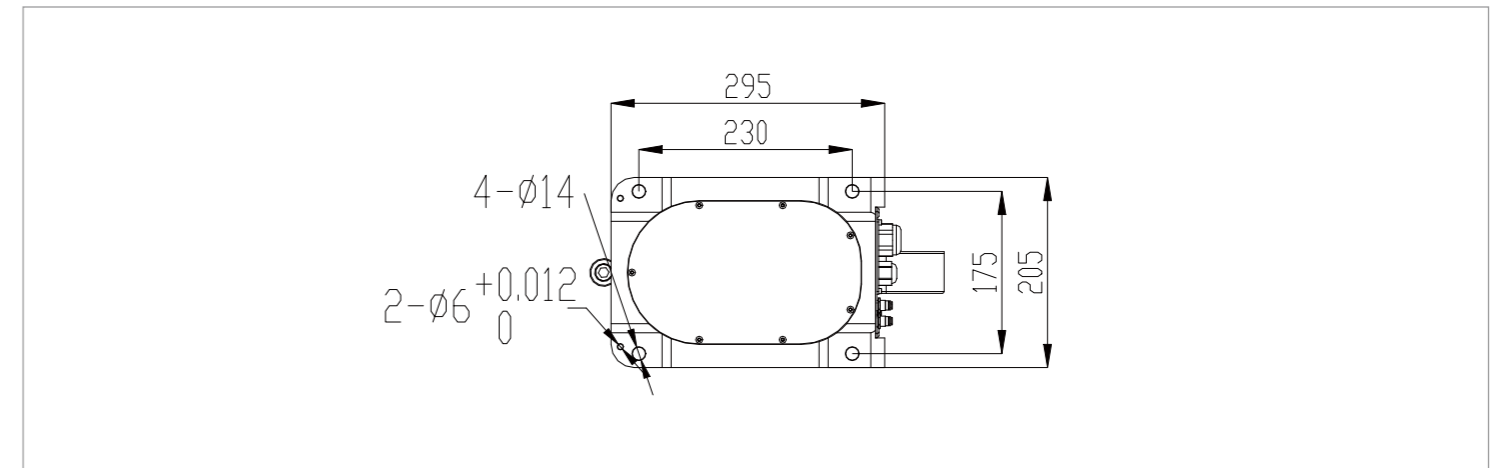
SPECIFICATIONS

Model		ESR20-4-1000
Reach		1000 mm
Max. payload on wrist	Rated	10 kg
	Maximum	20 kg
Robot weight		44 kg
Maximum speed	J1+J2	10626 mm/sec
	J3	1100 mm/sec
	J4	1385°/sec
Motion range	J1	±150°
	J2	±150°
	J3	300 mm
	J4	±360°
Repeatability	J1+J2	±0.025 mm
	J3	±0.01 mm
	J4	±0.01°
Standard cycle time		0.439 s
J4 allowable moment of inertia	Rated	0.05 kg·m ²
	Maximum	0.45 kg·m ²
Electric lines		D-Sub 15-Pin
Pneumatic lines		φ4 mmx2, φ6 mmx2
J3 downward force		250 N
Installation		Floor
Installation enviroment	Ambient temperature	0~40°C
	Ambient humidity	RH≤80% (No dew nor frost allowed)

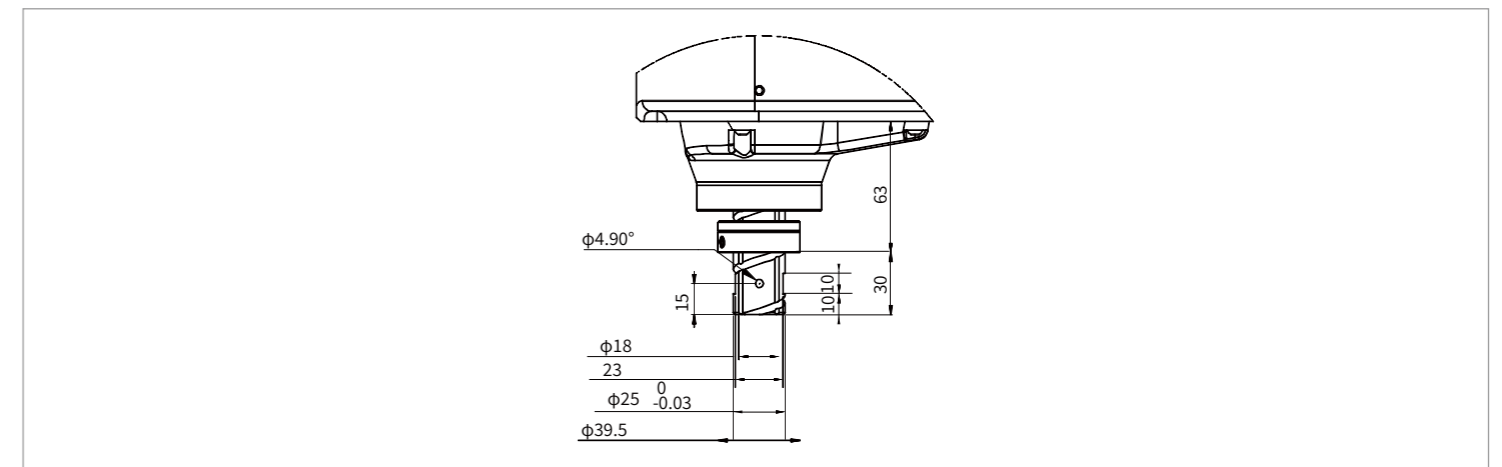
OPERATING SPACE



BASE MOUNTING SIZE



END FLANGE MOUNTING SIZE



Information Release Time 2023/07

PHONE: (00 86) 400-052-8877
 ADDRESS: No.96 East Wanchun Road, China(Anhui) Pilot
 Free Trade Zone Wuhu Area, Wuhu, Anhui Province, China
 WWW.EFORT.COM.CN

EFORT INTELLIGENT EQUIPMENT CO.,LTD.