

**EFORT**

# ESR6-700Z20

**ESR6-700Z20,**  
Maxium payload 6 kg with maxium reach 700 mm.

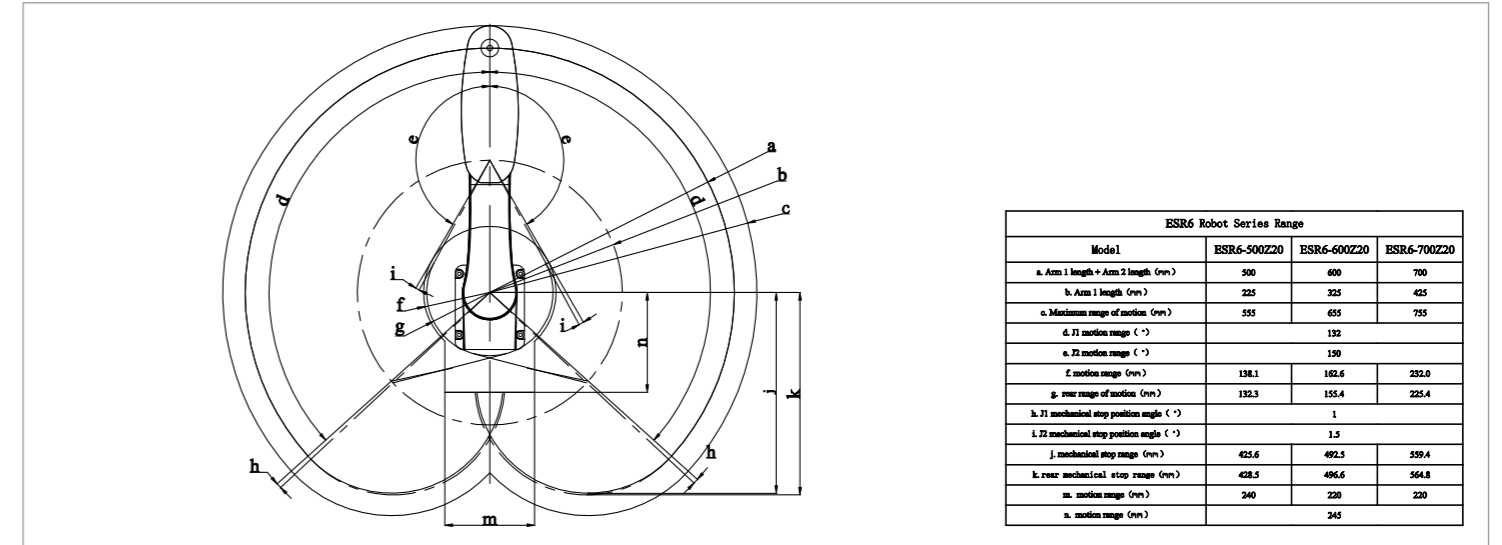
- **Highlights**
  1. High rhythm and high precision  
The fastest standard cycle time can reach 0.375 s, and the robot positioning accuracy can reach 0.02 mm.
  2. High rigidity and low vibration  
Robot body mode and rigidity enhancement, combined with vibration suppression and active vibration suppression functions, effectively reduce vibration.
  3. Easy to maintain and scalable  
The detachable structure of cables and batteries allows for the replacement of robots inside the device, and the built-in camera network cable enables various communication extensions.
- **Applications**  
It can be used in handling, sorting, assembly, etc.
- **Industries**  
Suitable for industries such as 3C electronics, lithium batteries, automotive electronics, and photovoltaics.



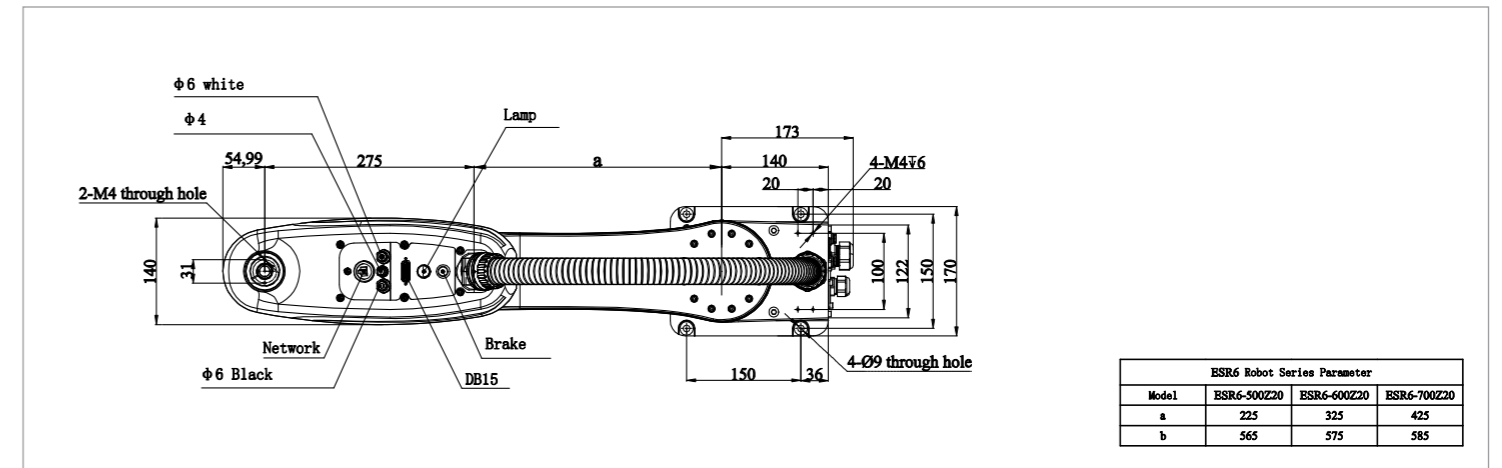
## SPECIFICATIONS

<b>Model</b>		ESR6-700Z20
<b>Reach</b>		700 mm
<b>Max. payload on wrist</b>	Rated	2 kg
	Maximum	6 kg
<b>Robot weight</b>		20 kg
<b>Maximum speed</b>	J1+J2	8590 mm/sec
	J3	1100 mm/sec
	J4	2000°/sec
<b>Motion range</b>	J1	±132°
	J2	±150°
	J3	200 mm
	J4	±360°
<b>Repeatability</b>	J1+J2	±0.02 mm
	J3	±0.01 mm
	J4	±0.01°
<b>Standard cycle time</b>		0.375 s
<b>J4 allowable moment of inertia</b>	Rated	0.01 kg·m <sup>2</sup>
	Maximum	0.12 kg·m <sup>2</sup>
<b>Electric lines</b>		D-Sub 15-Pin
<b>Pneumatic lines</b>		φ4 mmx1, φ6 mmx2
<b>J3 downward force</b>		100 N
<b>Installation</b>		Floor
<b>Installation enviroment</b>	Ambient temperature	5~40°C
	Ambient humidity	RH≤80% (No dew nor frost allowed)

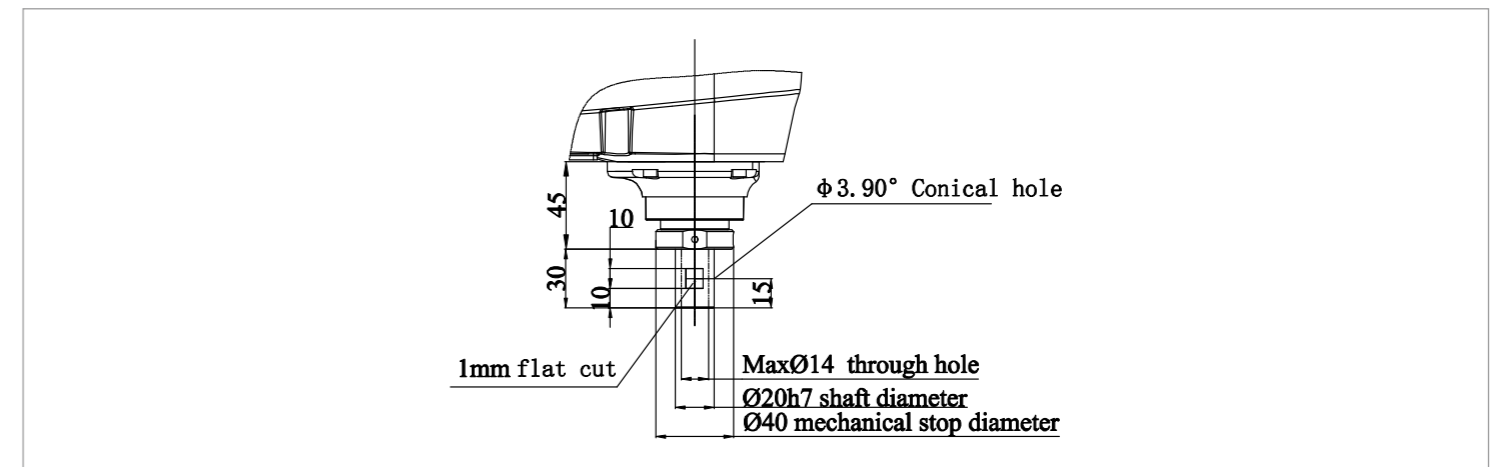
## OPERATING SPACE



## BASE MOUNTING SIZE



## END FLANGE MOUNTING SIZE



Information Release Time 2024/01

PHONE: (00 86) 400-052-8877  
 ADDRESS: No.96 East Wanchun Road, China(Anhui) Pilot  
 Free Trade Zone Wuhu Area, Wuhu, Anhui Province, China  
 WWW.EFORT.COM.CN

**EFORT INTELLIGENT EQUIPMENT CO.,LTD.**