

ER210-2700

EFORT

ER210-2700,
Maxium payload 210 kg with maxium reach 2674 mm.

■ Highlights

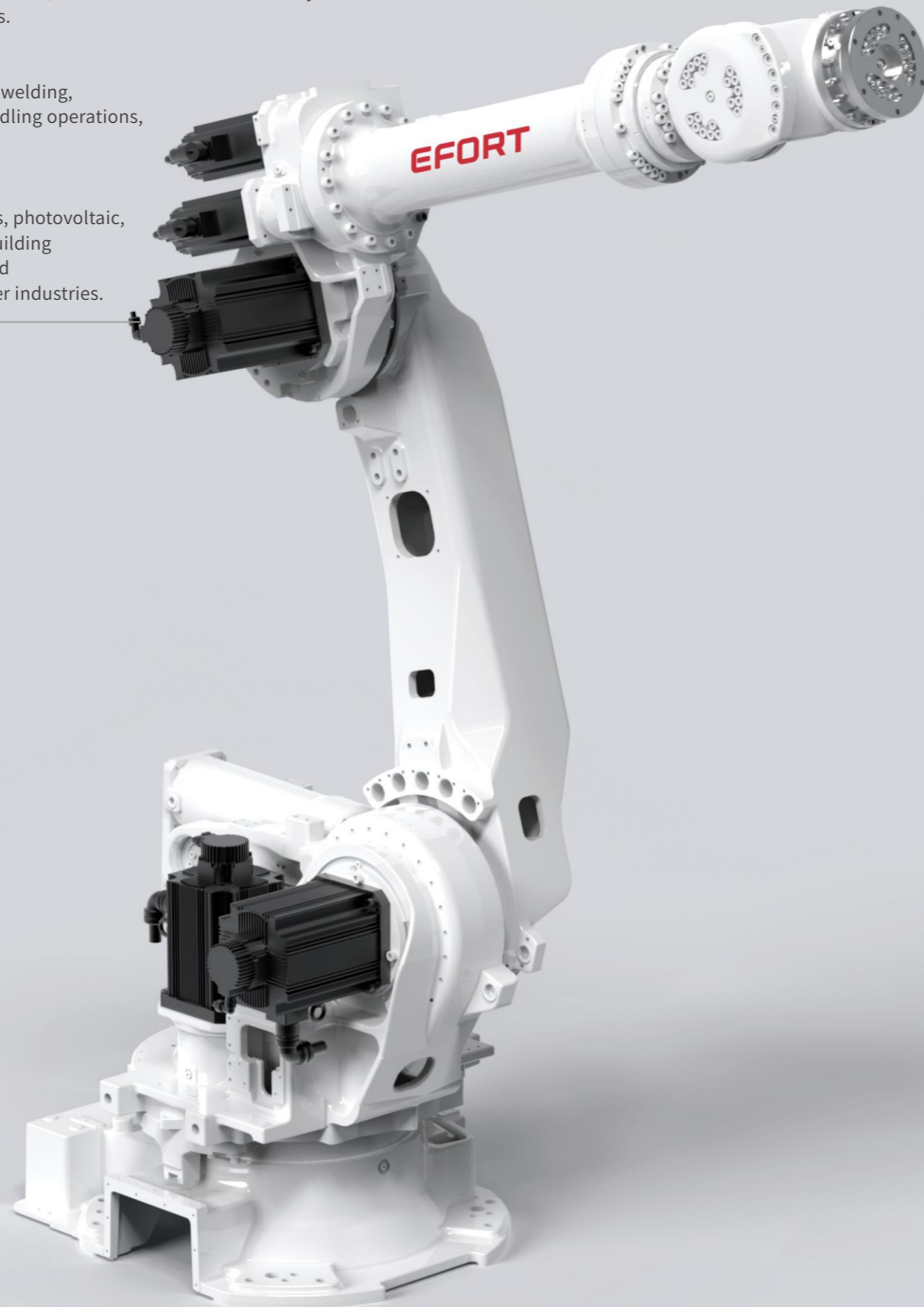
Thanks to the high stiffness structure, with high-speed intelligent palletizing application software, the takt is improved by 20%, bring customers more efficiency;
Multiple specific application software could be integrated, with soft PLC and a variety of field bus interface, which enable customers easily face various application challenges.

■ Applications

It can be used in Spot welding, SW-Stud welding, handling operations, palletizing, etc.

■ Industries

Suitable for auto parts, photovoltaic, food and beverage, building materials, logistics and warehousing and other industries.

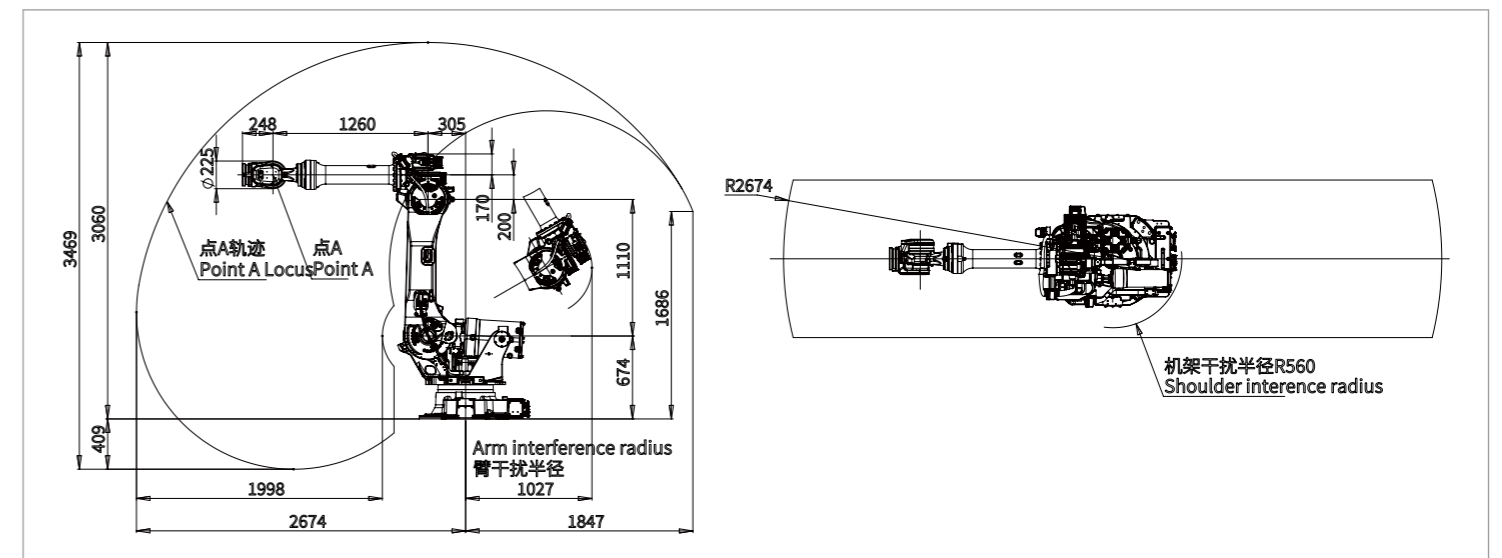


SPECIFICATIONS

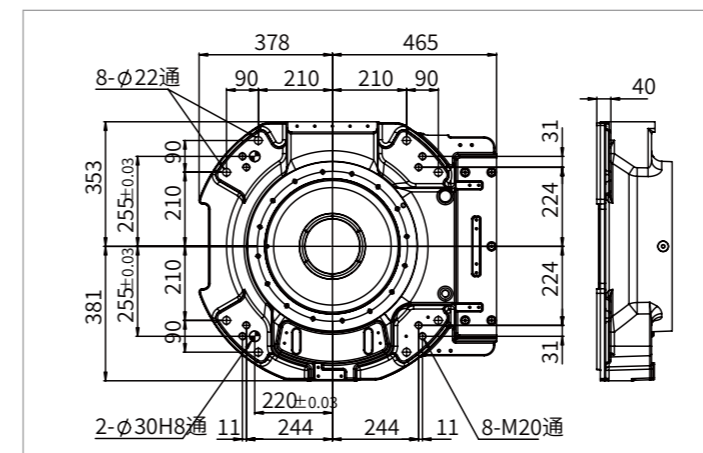
| | | |
|--------------------------------|-------------------------------|-----------------------------------|
| Model | ER210-2700 | |
| Type | Articulated | |
| Controlled axes | 6 Axes | |
| Max. payload on wrist | 210 kg | |
| Repeatability | ±0.1 mm | |
| Robot weight | 1110 kg | |
| Reach | 2674mm | |
| Robot IP grade | IP65 | |
| Cabinet IP grade | IP54 | |
| Drive mode | AC servo drive | |
| Installation | Floor | |
| Installation enviroment | Ambient temperature | 0~45 °C |
| | Ambient humidity | RH≤80% (No dew nor frost allowed) |
| | Vibration acceleration | 4.9 m/s ² (<0.5 G) |

| | | |
|--|-----------|-------------------------|
| Allowable load moment at wrist | J4 | 1337 N·m |
| | J5 | 1337 N·m |
| | J6 | 720 N·m |
| Allowable load inertia at wrist | J4 | 141.1 kg·m ² |
| | J5 | 141.1 kg·m ² |
| | J6 | 79 kg·m ² |
| Maximum speed | J1 | 100°/sec |
| | J2 | 90°/sec |
| | J3 | 85°/sec |
| | J4 | 109°/sec |
| | J5 | 105°/sec |
| | J6 | 200°/sec |
| Motion range | J1 | ±180° |
| | J2 | +60°/-80° |
| | J3 | +90°/-83° |
| | J4 | ±360° |
| | J5 | ±120° |
| | J6 | ±360° |

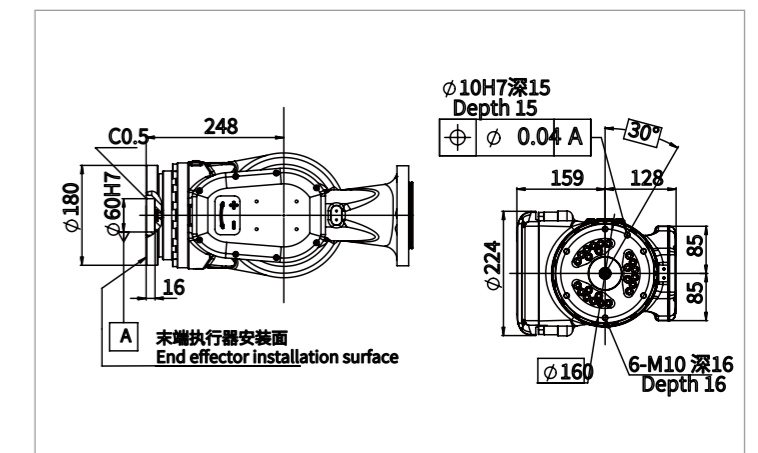
OPERATING SPACE



BASE MOUNTING SIZE



END FLANGE MOUNTING SIZE



EFORT INTELLIGENT EQUIPMENT CO.,LTD.
PHONE: (00 86) 400-052-8877
ADDRESS: No.96 East Wanchun Road, China(Anhui) Pilot
Free Trade Zone Wuhu Area, Wuhu, Anhui Province, China
WWW.EFORT.COM.CN