

ER180-4-3200

EFORT

ER180-4-3200,
Maxium payload 180 kg with maxium reach 3160 mm.

■ **Highlights**

Thanks to the excellent stiffness of the robot with sufficient arm span and high-speed intelligent palletization process package, the takt is improved by 15%, bring customers more efficiency;
Multiple specific application software could be integrated, with soft PLC and a variety of field bus interface, which enable customers easily face various application challenges;
High performance collision detection function helps safety realization.

■ **Applications**

It can be used in handling operations, palletizing, etc.

■ **Industries**

Suitable for metal parts, photovoltaic, logistics, cement, food and beverage, and other industries.

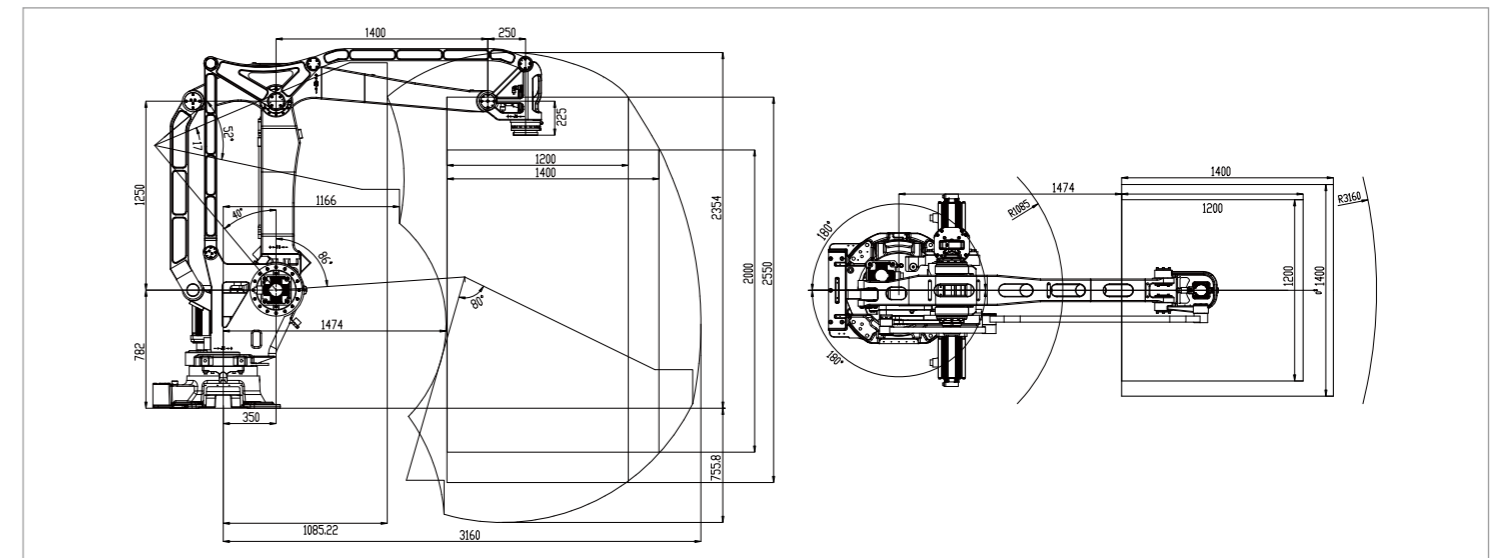


SPECIFICATIONS

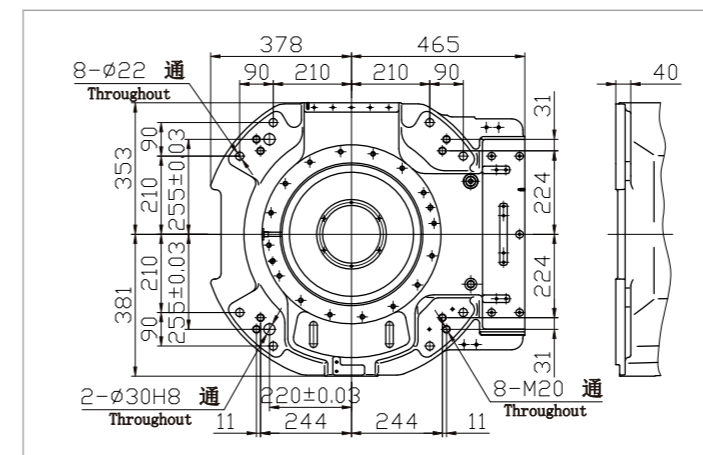
Model	ER180-4-3200	
Type	Articulated	
Controlled axes	4 Axes	
Max. payload on wrist	180 kg	
Repeatability	±0.1 mm	
Robot weight	1350 kg	
Reach	3160 mm	
Robot IP grade	IP54/ IP65 (Optional)	
Cabinet IP grade	IP54	
Installation enviroment	Ambient temperature	0~45 °C
	Ambient humidity	RH≤80% (No dew nor frost allowed)
	Vibration acceleration	4.9 m/s ² (<0.5 G)

Drive mode	AC servo drive	
Installation	Floor, Wall	
Allowable load moment at wrist	J4	190 N·m
	J4	56.6 kg·m ²
Maximum speed	J1	104°/sec
	J2	104°/sec
	J3	104°/sec
	J4	210°/sec
Motion range	J1	±180°
	J2	+40°-86°
	J3	+60°-52°
	J4	±360°
	J2+J3	-106° < (J2+J3) < +23°

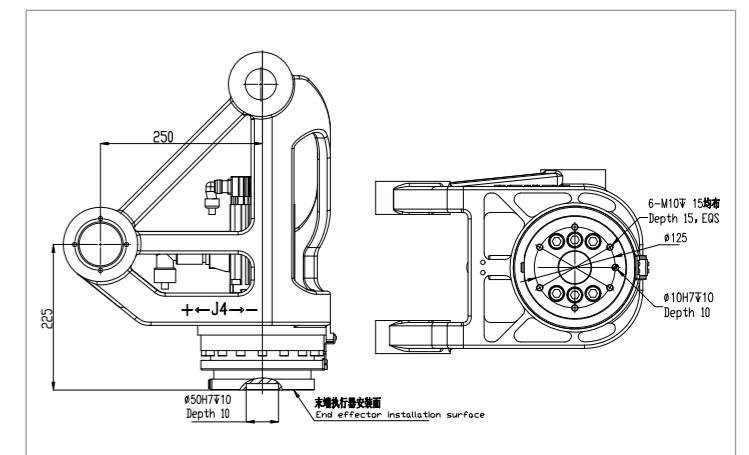
OPERATING SPACE



BASE MOUNTING SIZE



END FLANGE MOUNTING SIZE



EFORT INTELLIGENT EQUIPMENT CO.,LTD.

PHONE: (00 86) 400-052-8877

ADDRESS: No.96 East Wanchun Road, China(Anhui) Pilot

Free Trade Zone Wuhu Area, Wuhu, Anhui Province, China

WWW.EFORT.COM.CN