

ER16-4-900

EFORT

ER16-4-900,
Maxium payload 16 kg with maxium reach 944 mm.

■ **Highlights**

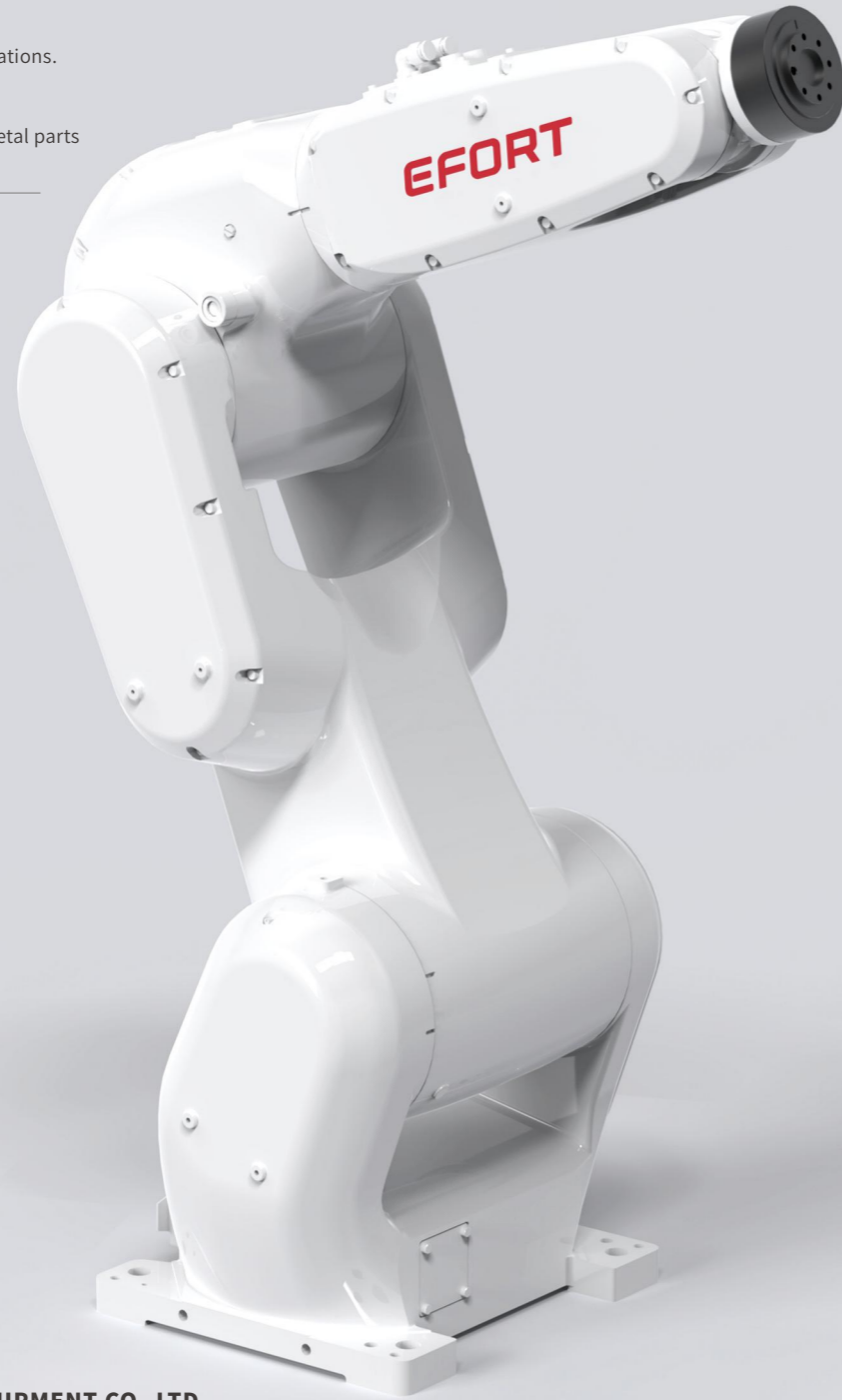
High protection level IP65 of the robor body help customers easy to face dusty, oil misty, high humidity and other harsh environment;
Thanks to the high stiffness transmission design and advanced trajectory algorithm, the improved robot accuracy performance helps customers to face variety of application scenarios.

■ **Applications**

It can be used in handling operations.

■ **Industries**

Suitable for PCB, 3C, plastic, metal parts and other industries.

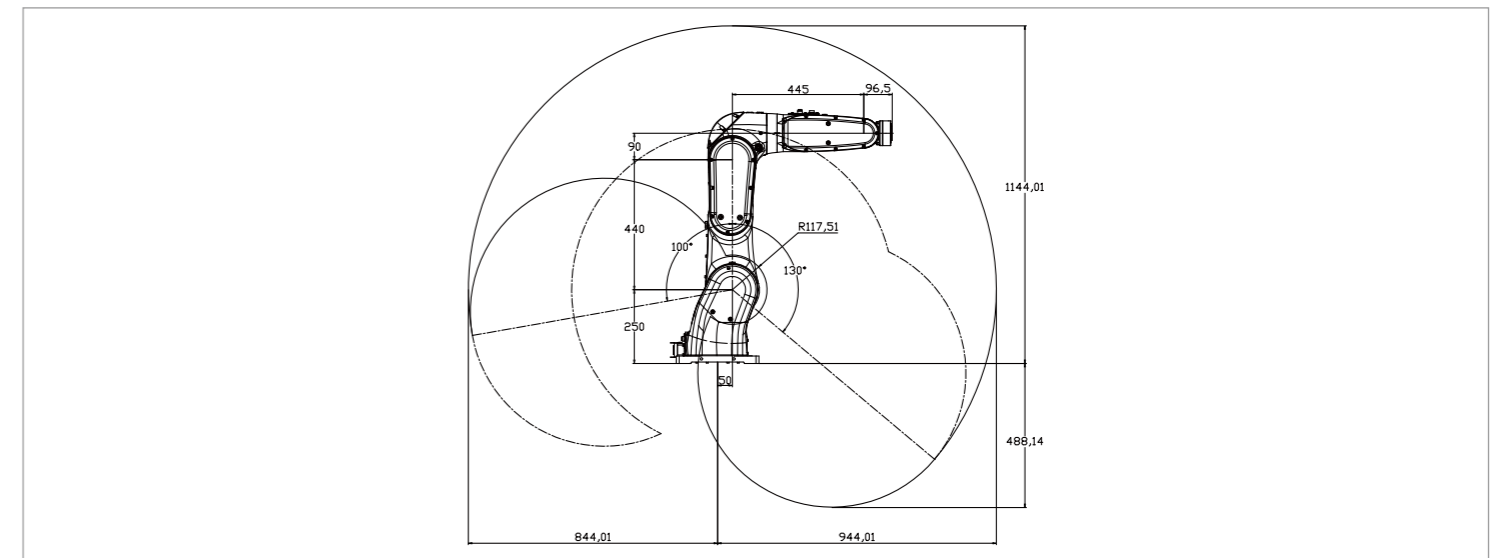


SPECIFICATIONS

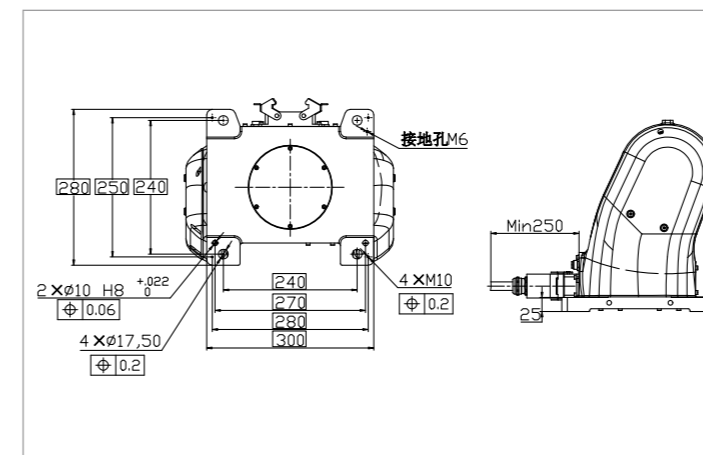
Model	ER16-4-900	
Type	Articulated	
Controlled axes	4 Axes	
Max. payload on wrist	16 kg	
Repeatability	±0.03 mm	
Robot weight	58 kg	
Reach	944 mm	
Robot IP grade	IP65	
Cabinet IP grade	IP20 / IP54 (Optional)	
Installation enviroment	Ambient temperature	0~45 °C
	Ambient humidity	RH≤80% (No dew nor frost allowed)
	Vibration acceleration	4.9 m/s ² (<0.5 G)

Drive mode	AC servo drive	
Installation	Upside-down	
Allowable load moment at wrist	J3	25 N·m
	J4	12 N·m
Allowable load inertia at wrist	J3	0.78 kg·m ²
	J4	0.3 kg·m ²
Maximum speed	J1	245°/sec
	J2	265°/sec
	J3	400°/sec
	J4	600°/sec
Motion range	J1	+100°/-130°
	J2	+193°/-75°
	J3	±120°
	J4	±360°

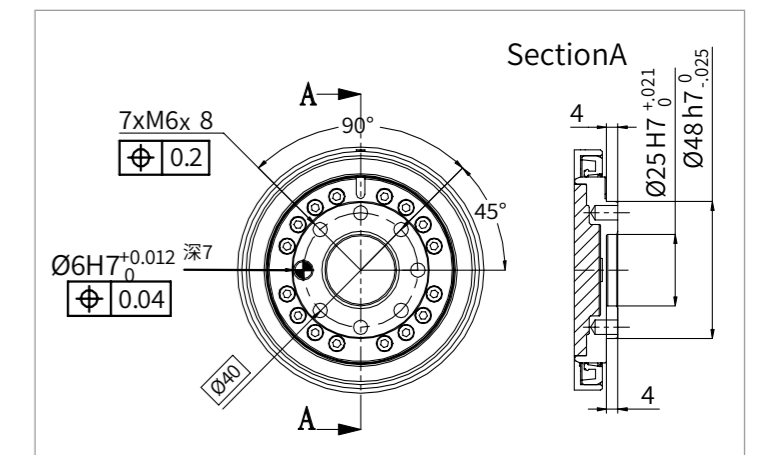
OPERATING SPACE



BASE MOUNTING SIZE



END FLANGE MOUNTING SIZE



EFORT INTELLIGENT EQUIPMENT CO.,LTD.

PHONE: (00 86) 400-052-8877

ADDRESS: No.96 East Wanchun Road, China(Anhui) Pilot

Free Trade Zone Wuhu Area, Wuhu, Anhui Province, China

WWW.EFORT.COM.CN