

ER130-4-2800

EFORT

ER130-4-2800,
Maxium payload 130 kg with maxium reach 2816 mm.

Highlights

The new topology optimization design features the machine light weight and high stiffness, with great dynamic response performance. Intelligent palletizing application visualization software increas the efficiency by 20% to help customers with better production performance;
Multiple specific application software could be integrated, with soft PLC and a variety of field bus interface, which enable customers easily face various application challenges;
High performance collision detection function helps safety realization.

Applications

It can be used in handling operations, palletizing, etc.

Industries

Suitable for metal parts, photovoltaic, logistics, cement, food and beverage and other industries.

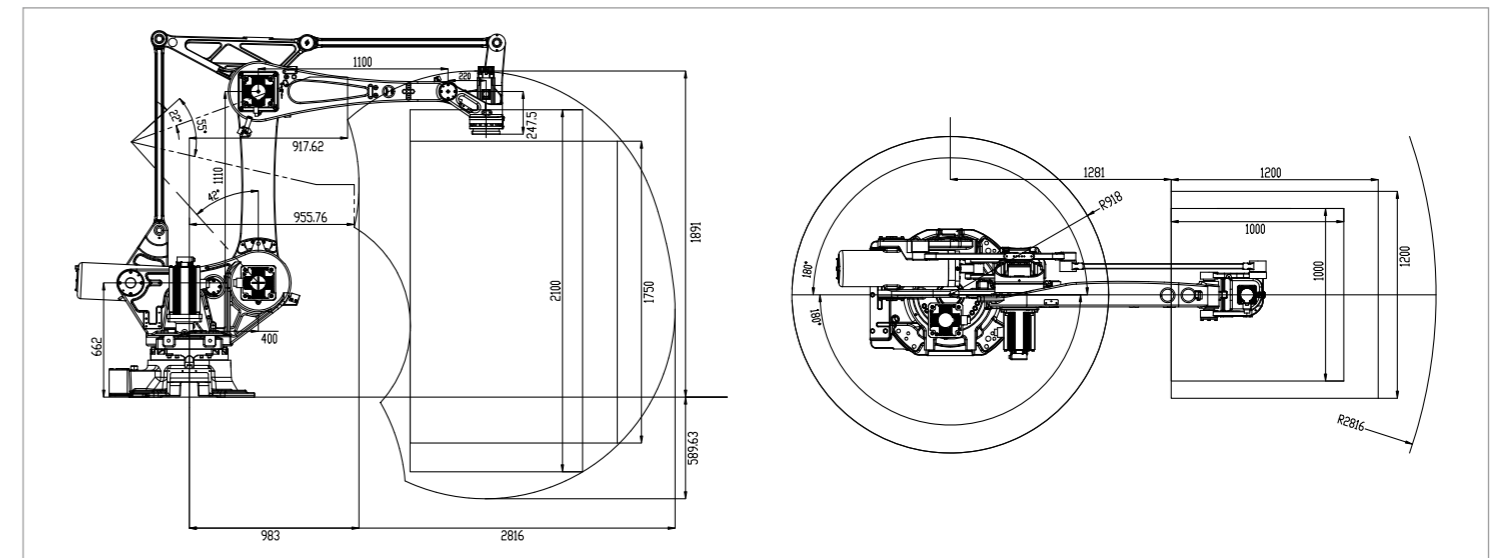


SPECIFICATIONS

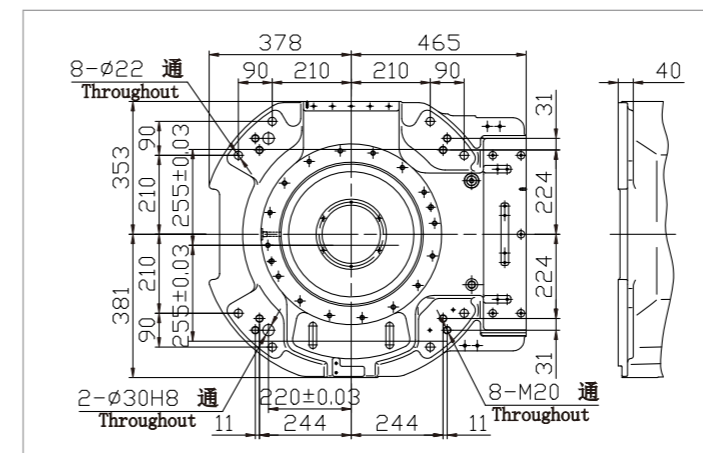
Model	ER130-4-2800	
Type	Articulated	
Controlled axes	4 Axes	
Max. payload on wrist	130 kg	
Repeatability	±0.1 mm	
Robot weight	970 kg	
Reach	2816 mm	
Robot IP grade	IP54/IP65 (Optional)	
Cabinet IP grade	IP54	
Installation enviroment	Ambient temperature	0~45 °C
	Ambient humidity	RH≤80% (No dew nor frost allowed)
	Vibration acceleration	4.9 m/s ² (<0.5 G)

Drive mode	AC servo drive	
Installation	Floor, Wall	
Allowable load moment at wrist	J4	36.25 N·m
	J4	50 kg·m ²
Maximum speed	J1	110°/sec
	J2	110°/sec
	J3	105°/sec
	J4	330°/sec
Motion range	J1	±180°
	J2	+42°/-85°
	J3	+85°/-55°
	J4	±360°
	J2+J3	-115° < (J2+J3) < +20°

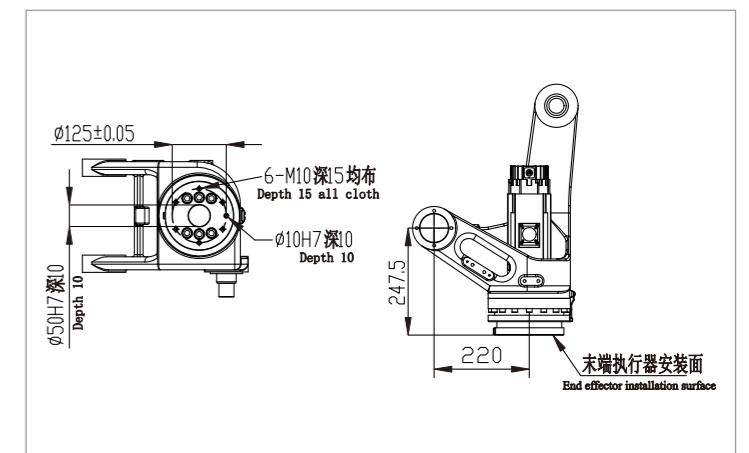
OPERATING SPACE



BASE MOUNTING SIZE



END FLANGE MOUNTING SIZE



EFORT INTELLIGENT EQUIPMENT CO.,LTD.

PHONE: (00 86) 400-052-8877

ADDRESS: No.96 East Wanchun Road, China(Anhui) Pilot

Free Trade Zone Wuhu Area, Wuhu, Anhui Province, China

WWW.EFORT.COM.CN