

ER7-700

EFORT

ER7-700,
Maxium payload 7 kg with maxium reach 713 mm.

■ **Highlights**

High protection level IP65 of the robor body help customers easy to face dusty, oil misty, high humidity and other harsh environment; Thanks to the high stiffness transmission design and advanced trajectory algorithm, the improved robot accuracy performance helps customers to face variety of application scenarios.

■ **Applications**

It can be used in handling operations, sorting, assembling, painting, etc.

■ **Industries**

Suitable for 3C, food and beverage, metal parts, education, plastic, pharmaceutical and other industries.

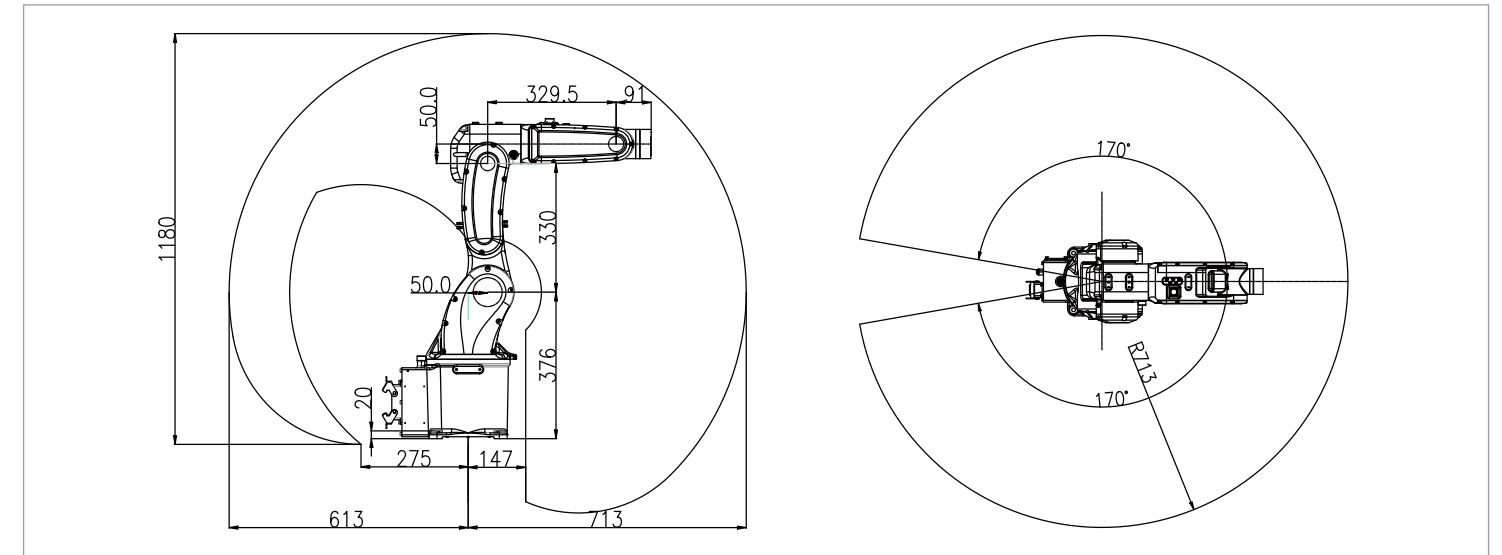


SPECIFICATIONS

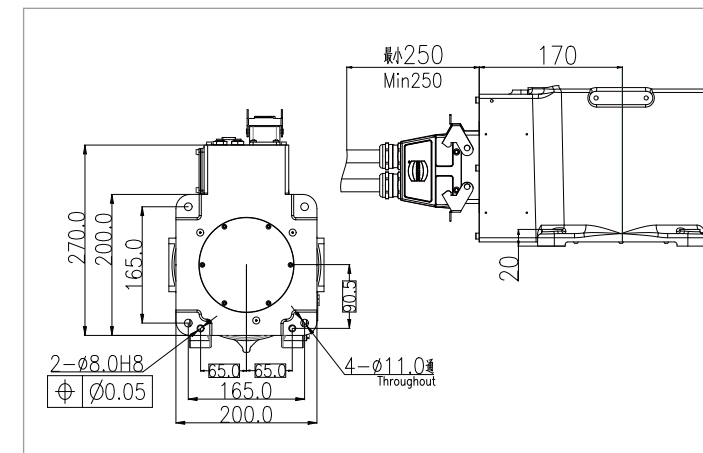
Model	ER7-700	
Type	Articulated	
Controlled axes	6 Axes	
Max. payload on wrist	7 kg	
Repeatability	±0.02 mm	
Robot weight	36 kg	
Reach	713 mm	
Robot IP grade	IP65/IP67 (Wrist)	
Cabinet IP grade	IP20	
Drive mode	AC servo drive	
Installation	Floor, Upside-down, Wall	
Installation enviroment	Ambient temperature	0~45 °C
	Ambient humidity	RH≤80% (No dew nor frost allowed)
	Vibration acceleration	4.9 m/s ² (<0.5 G)

Allowable load moment at wrist	J4	16 N·m
	J5	16 N·m
	J6	9 N·m
Allowable load inertia at wrist	J4	0.45 kg·m ²
	J5	0.45 kg·m ²
	J6	0.14 kg·m ²
Maximum speed	J1	380°/sec
	J2	350°/sec
	J3	400°/sec
	J4	450°/sec
	J5	450°/sec
	J6	720°/sec
Motion range	J1	±170°
	J2	+80°-135°
	J3	+195°/-70°
	J4	±190°
	J5	±120°
	J6	±360°

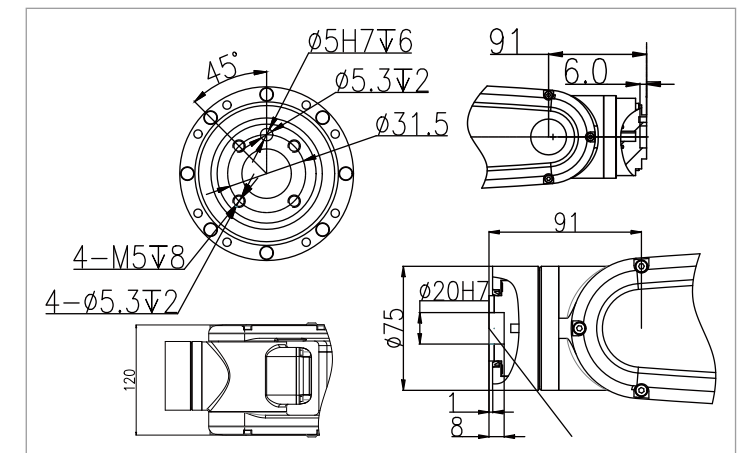
OPERATING SPACE



BASE MOUNTING SIZE



END FLANGE MOUNTING SIZE



EFORT INTELLIGENT EQUIPMENT CO.,LTD.

PHONE: (00 86) 400-052-8877

ADDRESS: No.96 East Wanchun Road, China(Anhui) Pilot

Free Trade Zone Wuhu Area, Wuhu, Anhui Province, China

WWW.EFORT.COM.CN