

ECR5

EFORT

ECR5,

Maxium payload 5 kg with maxium reach 928 mm, Repeatability ± 0.03 mm.

Highlights

Multiple safety design in both hardware and software with sensitive collision detection, helps realize fenceless human-machine cooperative operation.

Note: Safety features are designed according to ISO 13849 PLD, Cat.3 safety criterias;

The agile and easy-to-use drag teaching function greatly simplifies the programming and manipulation the robot. Thanks to the lightweight structure design, customers can achieve rapid deployment and flexible production management;

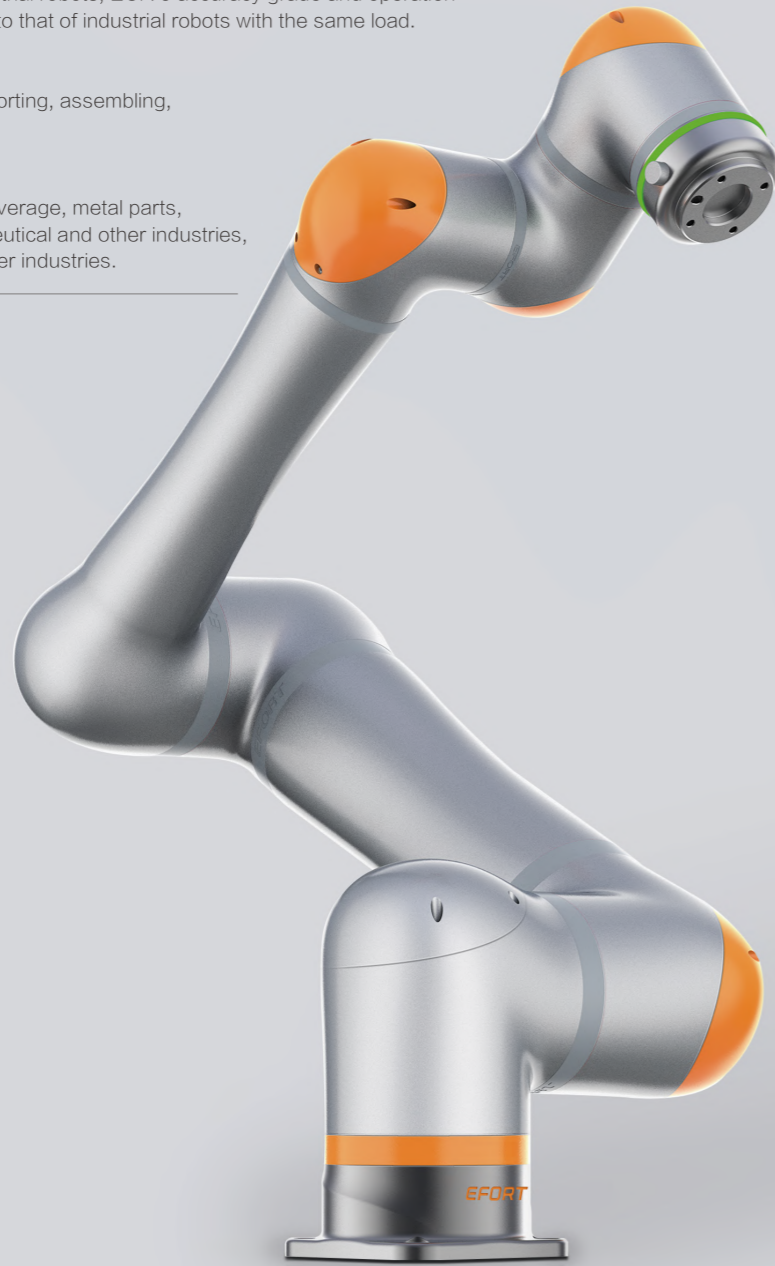
Thanks to our origin of industrial robots, ECR 5 accuracy grade and operation stability can be comparable to that of industrial robots with the same load.

Applications

It can be used in handling, sorting, assembling, machine tending, etc.

Industries

Suitable for 3C, food and beverage, metal parts, education, plastic, pharmaceutical and other industries, can also be used in consumer industries.

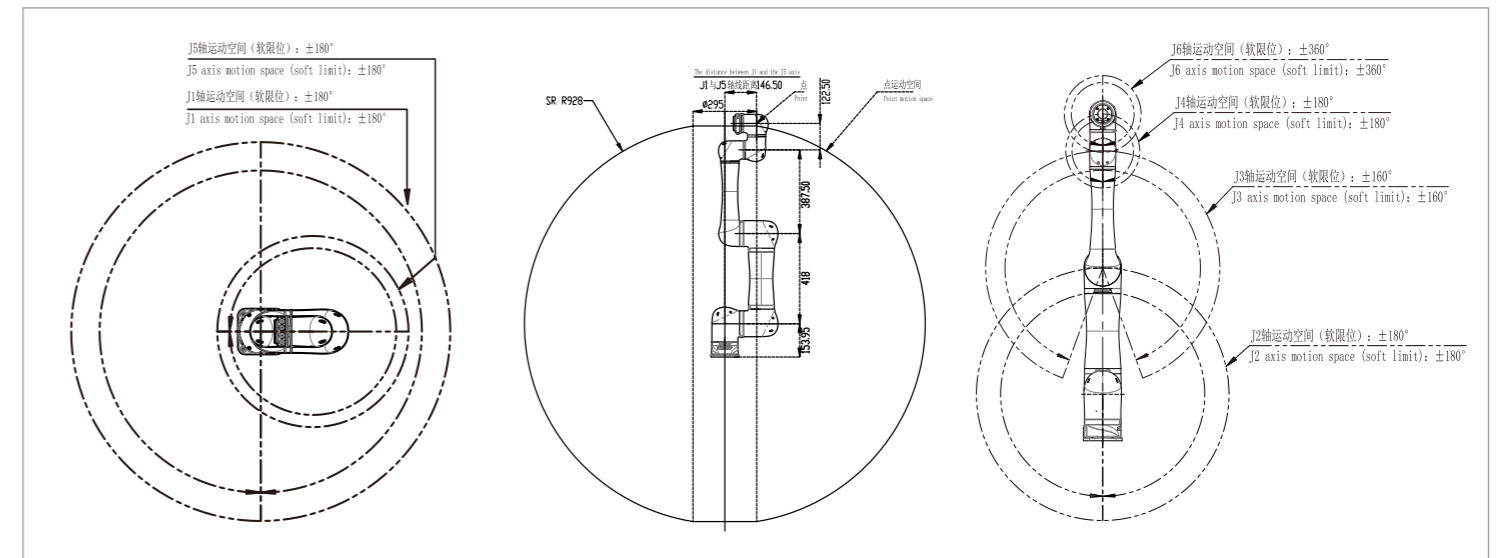


SPECIFICATIONS

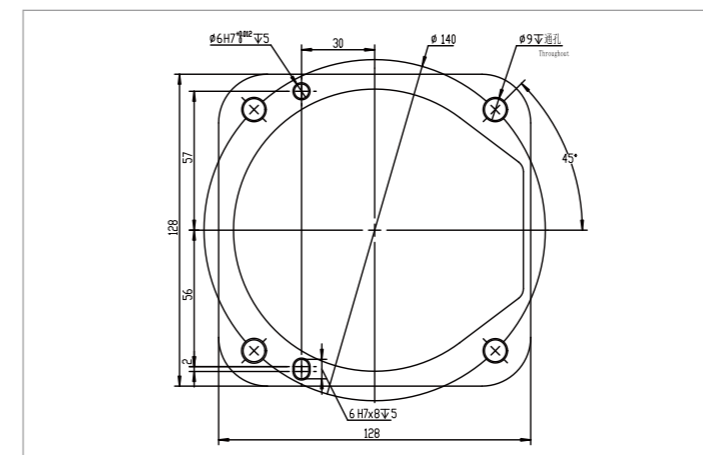
Model	ECR5	
Type	Articulated	
Controlled axes	6 Axes	
Max. payload on wrist	5 kg	
Repeatability	± 0.03 mm	
Robot weight	20.5 kg	
Reach	928 mm	
Robot IP grade	IP54	
Cabinet IP grade	IP40	
Drive mode	Low-voltage servo drive	
Installation	Floor, Upside-down, Wall, Angle	
Installation enviroment	Ambient temperature	0~50 °C
	Ambient humidity	RH \leq 80% (No dew nor frost allowed)
	Vibration acceleration	4.9 m/s ² (< 0.5 G)

Allowable load moment at wrist	J4	19 N · m
	J5	13 N · m
	J6	13 N · m
Allowable load inertia at wrist	J4	0.8 kg · m ²
	J5	0.4 kg · m ²
	J6	0.4 kg · m ²
Maximum speed	J1	150°/sec
	J2	150°/sec
	J3	150°/sec
	J4	180°/sec
	J5	180°/sec
	J6	180°/sec
Motion range	J1	$\pm 180^\circ$
	J2	$\pm 180^\circ$
	J3	$\pm 160^\circ$
	J4	$\pm 180^\circ$
	J5	$\pm 180^\circ$
	J6	$\pm 360^\circ$

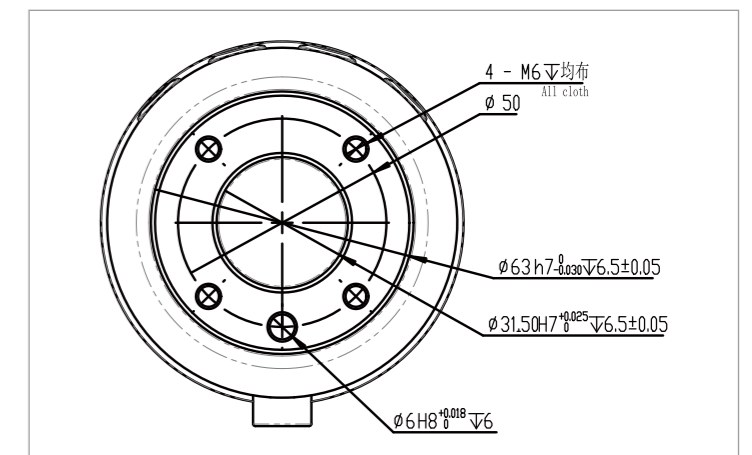
OPERATING SPACE



BASE MOUNTING SIZE



END FLANGE MOUNTING SIZE



EFORT INTELLIGENT EQUIPMENT CO.,LTD.

PHONE: (00 86) 400-052-8877

ADDRESS: No.96 East Wanchun Road, China(Anhui) Pilot

Free Trade Zone Wuhu Area, Wuhu, Anhui Province, China

WWW.EFORT.COM.CN