

ER150-3200

EFORT

ER150-3200,
Maxium payload 150 kg with maxium reach 3192 mm.

Highlights

Thanks to the high stiffness structure, with high-speed intelligent palletizing application software, the takt is improved by 20%, bring customers more efficiency;
Multiple specific application software could be integrated, with soft PLC and a variety of field bus interface, which enable customers easily face various application challenges;
High performance collision detection function helps safety realization.

Applications

It can be used in handling operations, palletizing, etc.

Industries

Suitable for auto parts, photovoltaic, food and beverage, building materials, logistics and warehousing and other industries.

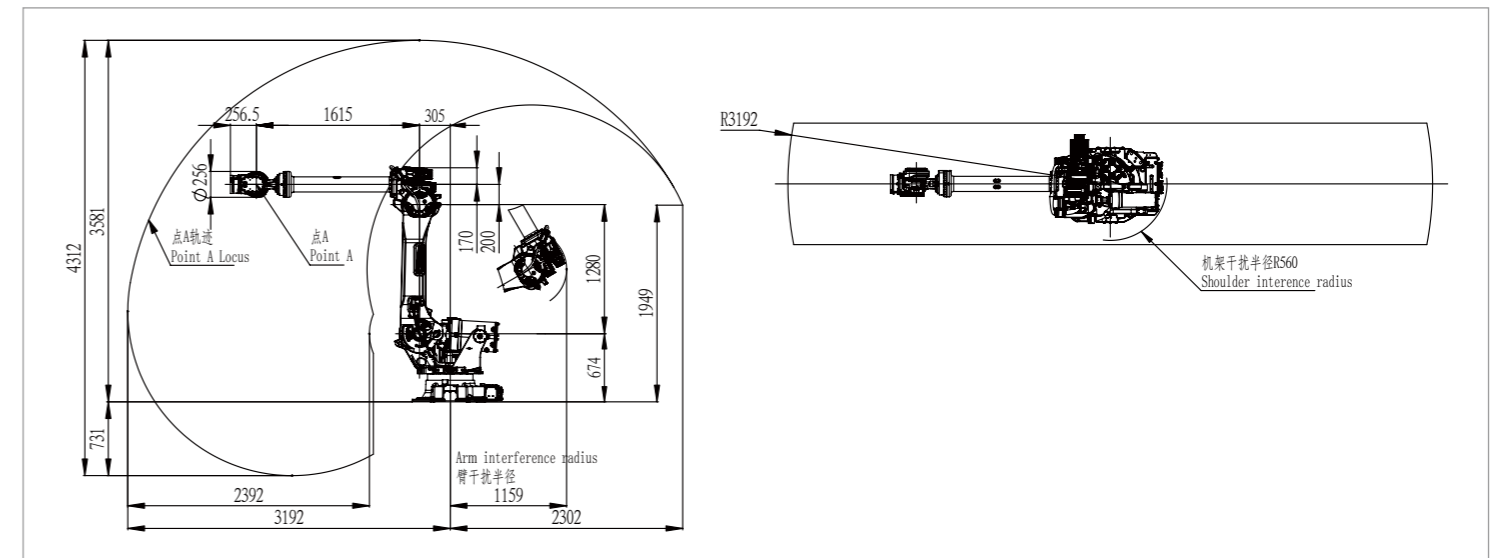


SPECIFICATIONS

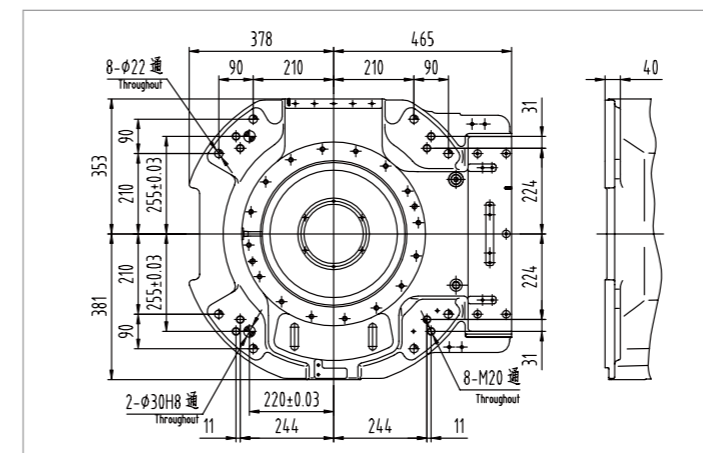
Model	ER150-3200	
Type	Articulated	
Controlled axes	6 Axes	
Max. payload on wrist	150 kg	
Repeatability	± 0.2 mm	
Robot weight	1150 kg	
Reach	3192 mm	
Robot IP grade	IP65	
Cabinet IP grade	IP54	
Drive mode	AC servo drive	
Installation	Floor	
Installation enviroment	Ambient temperature	0~45 °C
	Ambient humidity	RH≤80% (No dew nor frost allowed)
	Vibration acceleration	4.9 m/s ² (<0.5 G)

Allowable load moment at wrist	J4	1337 N · m
	J5	1337 N · m
	J6	720 N · m
Allowable load inertia at wrist	J4	141.1 kg · m ²
	J5	141.1 kg · m ²
	J6	79 kg · m ²
Maximum speed	J1	100°/sec
	J2	90°/sec
	J3	85°/sec
	J4	105°/sec
	J5	100°/sec
	J6	195°/sec
Motion range	J1	± 180°
	J2	+60°/-80°
	J3	+90°/-83°
	J4	± 360°
	J5	± 120°
	J6	± 360°

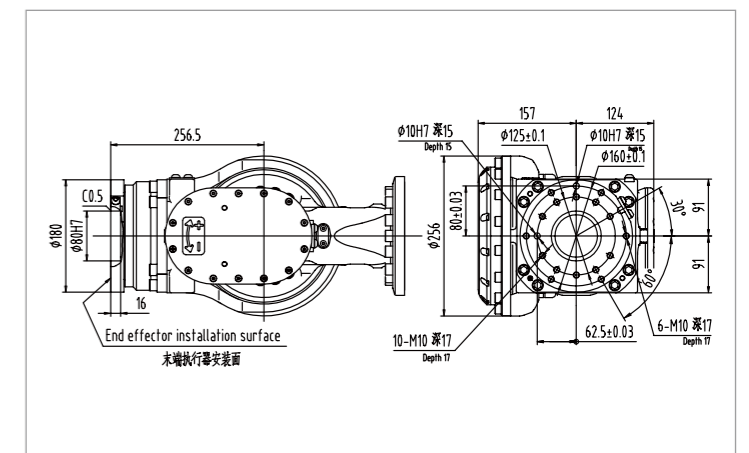
OPERATING SPACE



BASE MOUNTING SIZE



END FLANGE MOUNTING SIZE



EFORT INTELLIGENT EQUIPMENT CO.,LTD.
PHONE: (00 86) 400-052-8877
ADDRESS: No.96 East Wanchun Road, China(Anhui) Pilot Free Trade Zone Wuhu Area, Wuhu, Anhui Province, China
WWW.EFORT.COM.CN