

# ER20-1700

**EFORT**

ER20-1700,  
Maxium payload 20 kg with maxium reach 1722 mm.

## Highlights

Thanks to the new design of wrist, inertia and bearing capacity are increased by 20% with wider application scope;  
Thanks to the high stiffness transmission design and advanced trajectory algorithm, the improved robot accuracy performance helps customers to face variety of application scenarios.

## Applications

It can be used in handling operations, assembling, grinding, polishing, deburring, etc.

## Industries

Suitable for metal parts, photovoltaic, logistics, food and beverage and other industries.

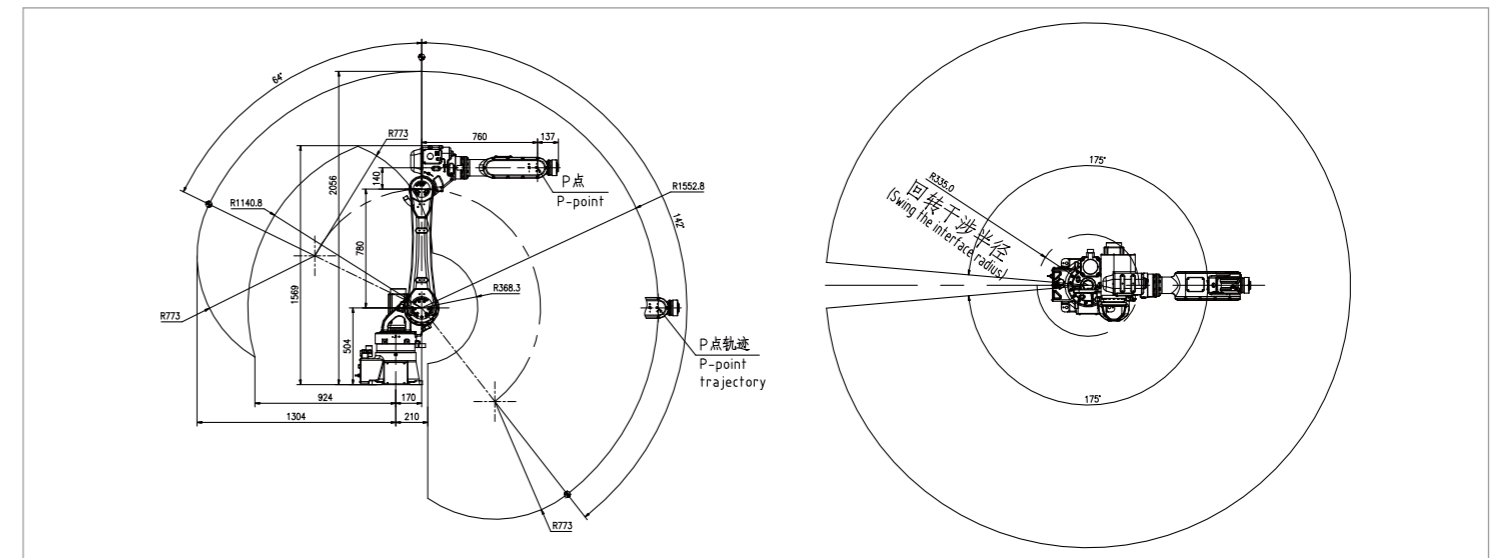


## SPECIFICATIONS

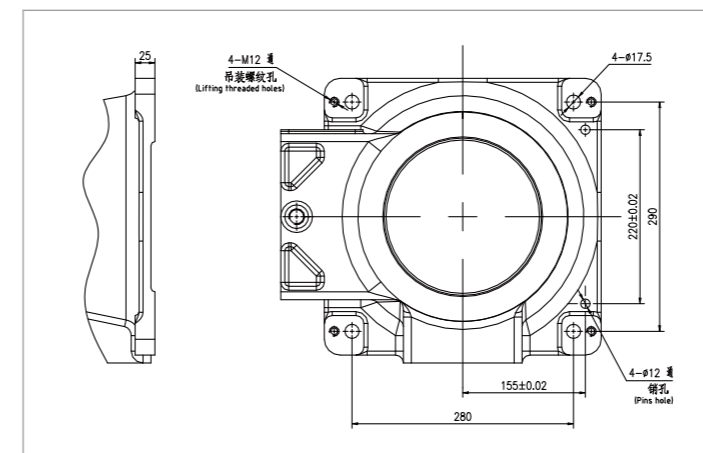
Model	ER20-1700	
Type	Articulated	
Controlled axes	6 Axes	
Max. payload on wrist	20 kg	
Repeatability	± 0.05 mm	
Robot weight	220 kg	
Reach	1722 mm	
Robot IP grade	IP54/IP67 ( Wrist )	
Cabinet IP grade	IP43	
Drive mode	AC servo drive	
Installation	Floor, Upside-down, Wall	
Installation enviroment	Ambient temperature	0~45 ℃
	Ambient humidity	RH≤80% ( No dew nor frost allowed )
	Vibration acceleration	4.9 m/s <sup>2</sup> ( < 0.5 G )

Allowable load moment at wrist	J4	42 N · m
	J5	42 N · m
	J6	26 N · m
Allowable load inertia at wrist	J4	1.18 kg · m <sup>2</sup>
	J5	1.18 kg · m <sup>2</sup>
	J6	0.8 kg · m <sup>2</sup>
Maximum speed	J1	170°/sec
	J2	150°/sec
	J3	146°/sec
	J4	360°/sec
	J5	360°/sec
	J6	550°/sec
Motion range	J1	± 175°
	J2	+64°/- 142°
	J3	+165°/- 73°
	J4	± 178°
	J5	± 128°
	J6	± 720°

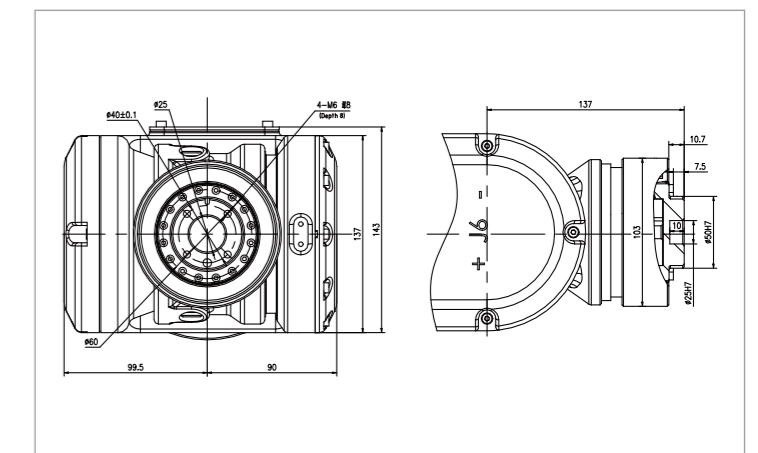
## OPERATING SPACE



## BASE MOUNTING SIZE



## END FLANGE MOUNTING SIZE



EFORT INTELLIGENT EQUIPMENT CO.,LTD.

PHONE: (00 86) 400-052-8877

ADDRESS: No.96 East Wanchun Road, China(Anhui) Pilot Free Trade Zone Wuhu Area, Wuhu, Anhui Province, China

WWW.EFORT.COM.CN