

ER15-1400

EFORT

ER15-1400,
Maxium payload 15 kg with maxium reach 1420 mm.

Highlights

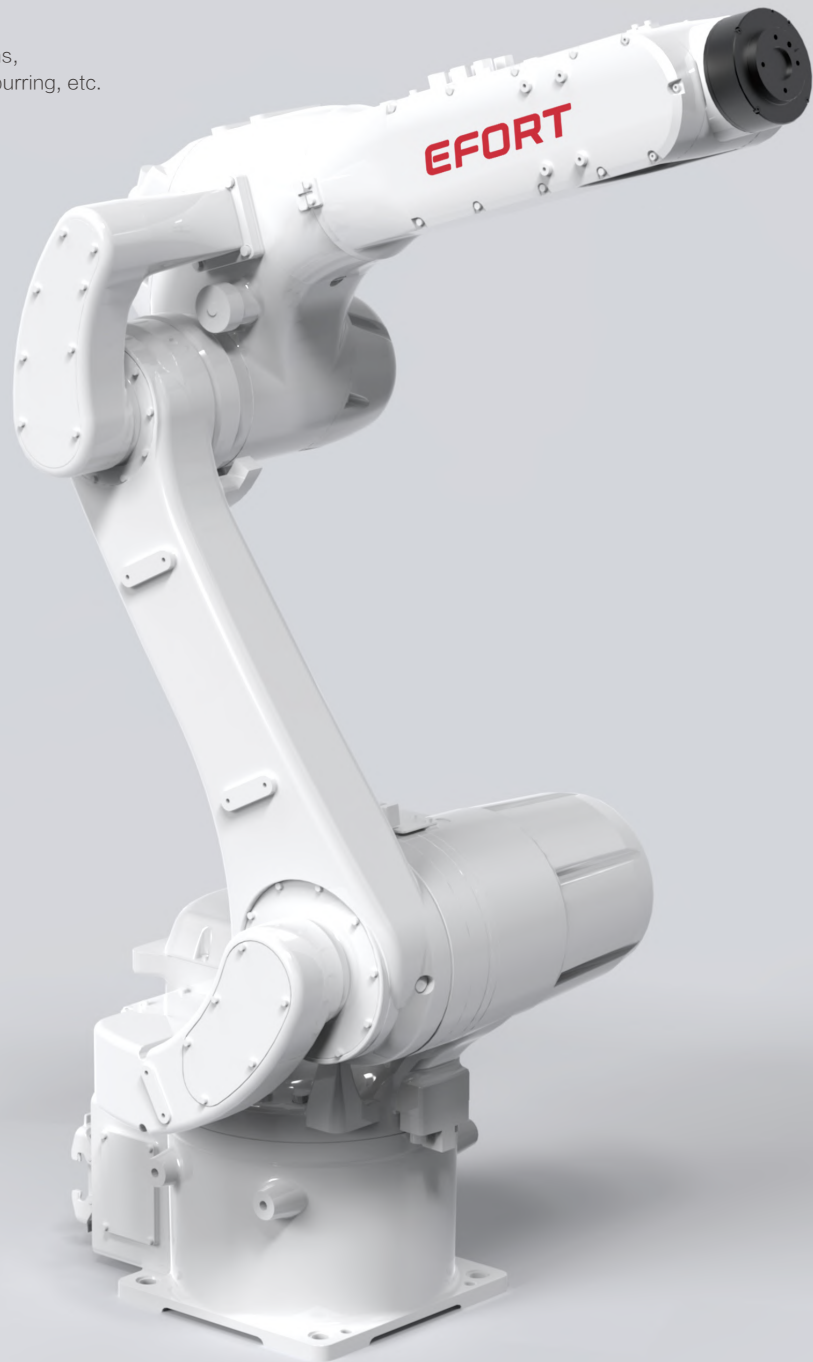
Thanks to the optimization of stiffness and inertia brought by the new mechanical design, with advanced trajectory algorithm. The takt improved by 20%-30%; Compact cabinet design helps customers deploy the production line with more flexibility; IP67 wrist, high protection grade, to overcome harsh environment.

Applications

It can be used in handling operations, assembling, grinding, polishing, deburring, etc.

Industries

Suitable for PCB, metal parts, photovoltaic and other industries.

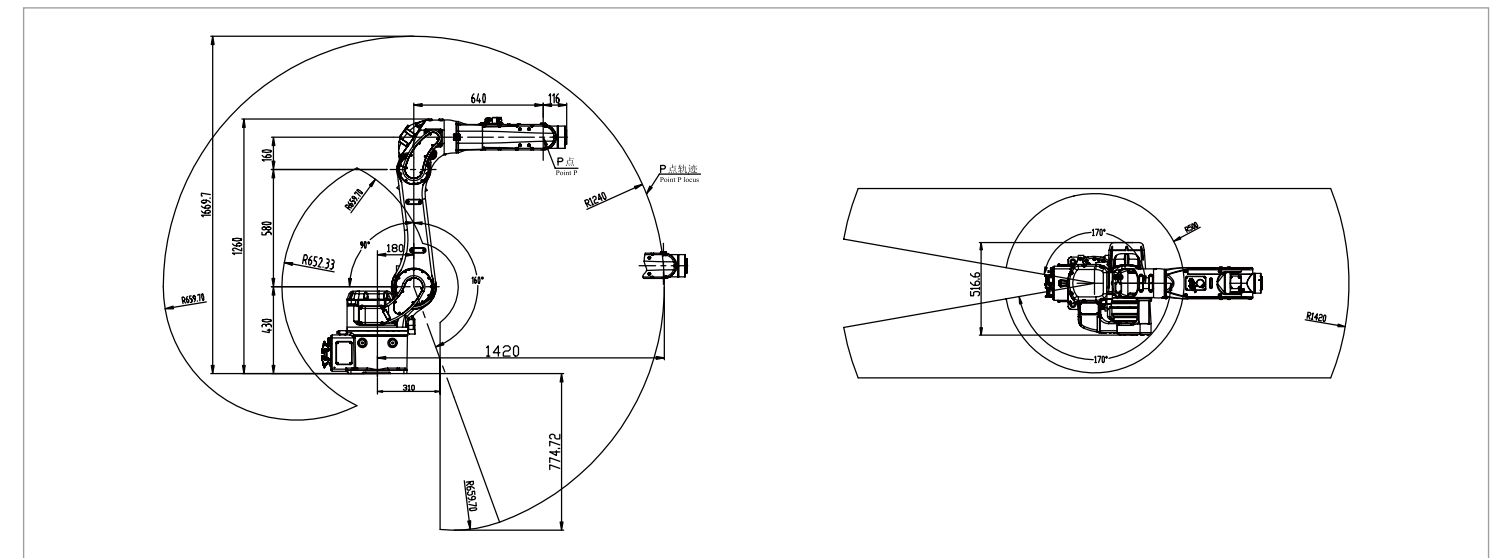


SPECIFICATIONS

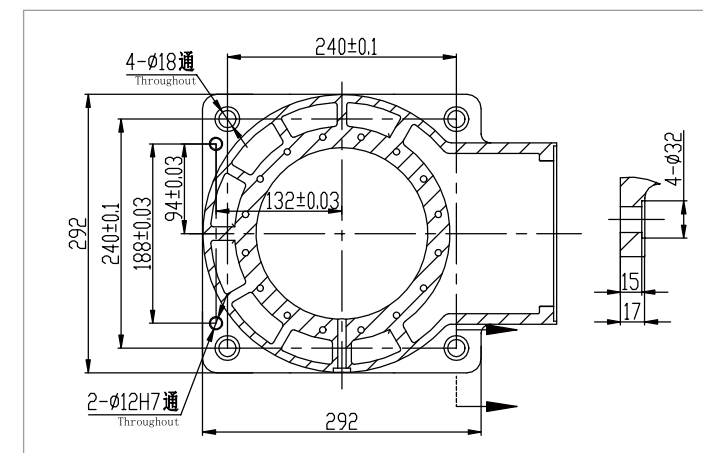
Model	ER15-1400	
Type	Articulated	
Controlled axes	6 Axes	
Max. payload on wrist	15 kg	
Repeatability	± 0.03 mm	
Robot weight	150 kg	
Reach	1420 mm	
Robot IP grade	IP65/IP67 (Wrist)	
Cabinet IP grade	IP20/IP54 (Optional)	
Drive mode	AC servo drive	
Installation	Floor, Upside-down, Wall, Angle	
Installation enviroment	Ambient temperature	0~45 °C
	Ambient humidity	RH≤80% (No dew nor frost allowed)
	Vibration acceleration	4.9 m/s ² (< 0.5 G)

Allowable load moment at wrist	J4	42 N · m
	J5	42 N · m
	J6	20 N · m
Allowable load inertia at wrist	J4	2 kg · m ²
	J5	2 kg · m ²
	J6	0.7 kg · m ²
Maximum speed	J1	260°/sec
	J2	255°/sec
	J3	210°/sec
	J4	450°/sec
	J5	450°/sec
	J6	600°/sec
Motion range	J1	± 170°
	J2	+90°/-160°
	J3	+175°/-85°
	J4	± 190°
	J5	± 130°
	J6	± 360°

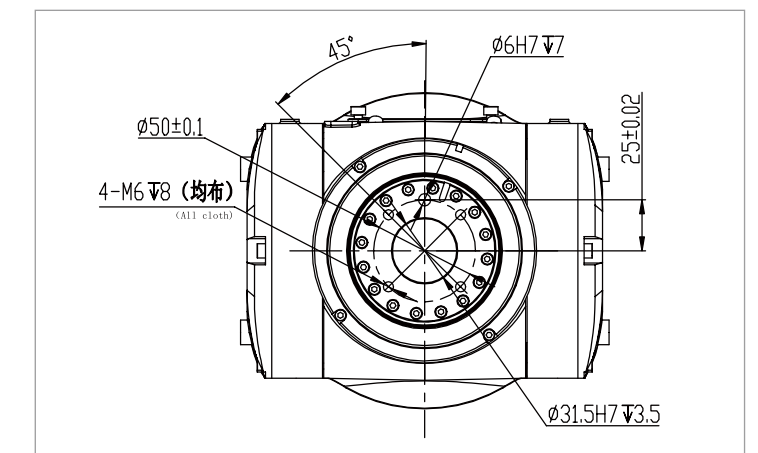
OPERATING SPACE



BASE MOUNTING SIZE



END FLANGE MOUNTING SIZE



EFORT INTELLIGENT EQUIPMENT CO.,LTD.

PHONE: (00 86) 400-052-8877

ADDRESS: No.96 East Wanchun Road, China(Anhui) Pilot Free Trade Zone Wuhu Area, Wuhu, Anhui Province, China

WWW.EFORT.COM.CN