

# ER6-1400

**EFORT**

ER6-1400,  
Maxium payload 6 kg with maxium reach 1433 mm.

## Highlights

A comprehensive arc welding process software can be integrated to meet the requirements of automatic welding in various scenarios;  
Available version for the education industry with disassembly possibility to meet the education requirements with intelligent manufacturing focus.

## Applications

It can be used in handling, machine tending, arc welding, etc.

## Industries

Suitable for plastic, metal parts, education and other industries.

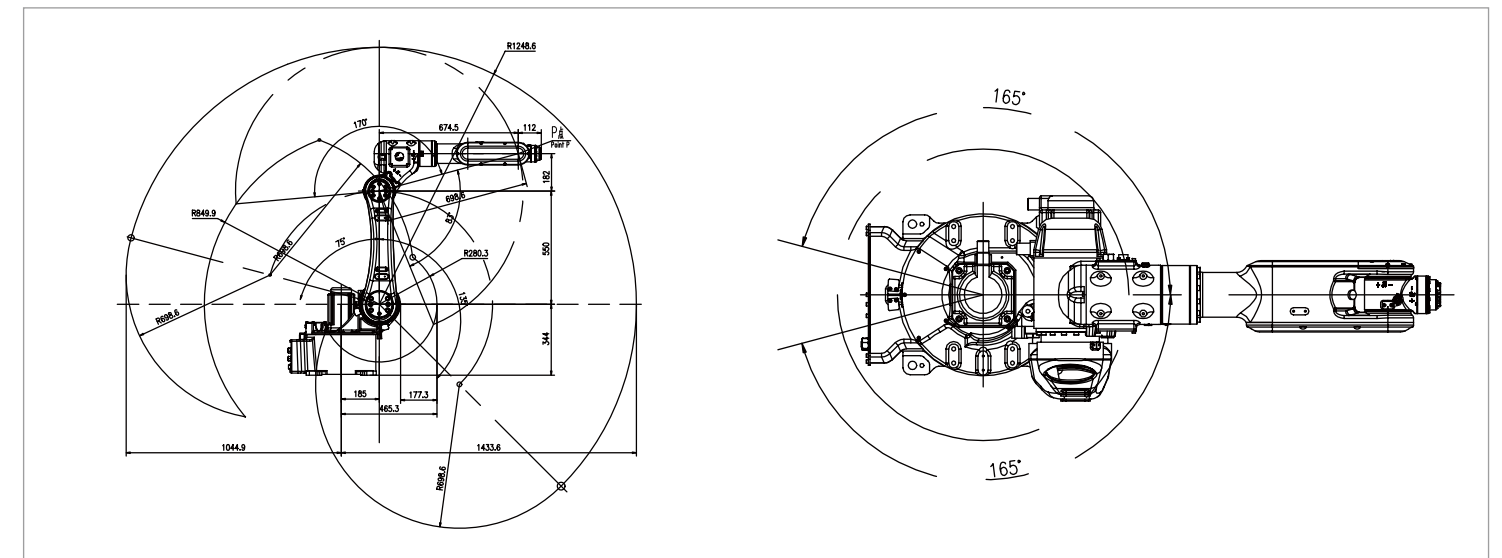


## SPECIFICATIONS

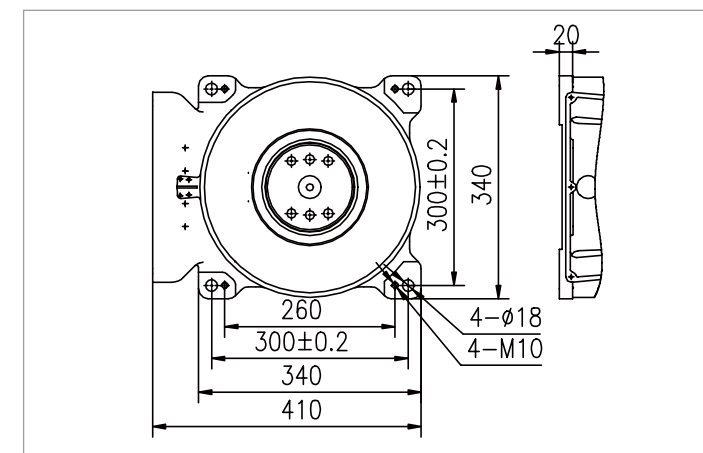
Model	ER6-1400	
Type	Articulated	
Controlled axes	6 Axes	
Max. payload on wrist	6 kg	
Repeatability	± 0.05 mm	
Robot weight	145 kg	
Reach	1433 mm	
Robot IP grade	IP54 / IP67 ( Wrist )	
Cabinet IP grade	IP54	
Drive mode	AC servo drive	
Installation	Floor, Upside-down, Wall, Angle	
Installation enviroment	Ambient temperature	0~45 °C
	Ambient humidity	RH≤80% ( No dew nor frost allowed )
	Vibration acceleration	4.9 m/s <sup>2</sup> ( < 0.5 G )

Allowable load moment at wrist	J4	12 N · m
	J5	12 N · m
	J6	6 N · m
Allowable load inertia at wrist	J4	0.4 kg · m <sup>2</sup>
	J5	0.4 kg · m <sup>2</sup>
	J6	0.2 kg · m <sup>2</sup>
Maximum speed	J1	175°/sec
	J2	175°/sec
	J3	185°/sec
	J4	330°/sec
	J5	360°/sec
	J6	600°/sec
Motion range	J1	± 165°
	J2	+75°/-135°
	J3	+170°/-83°
	J4	± 180°
	J5	± 130°
	J6	± 360°

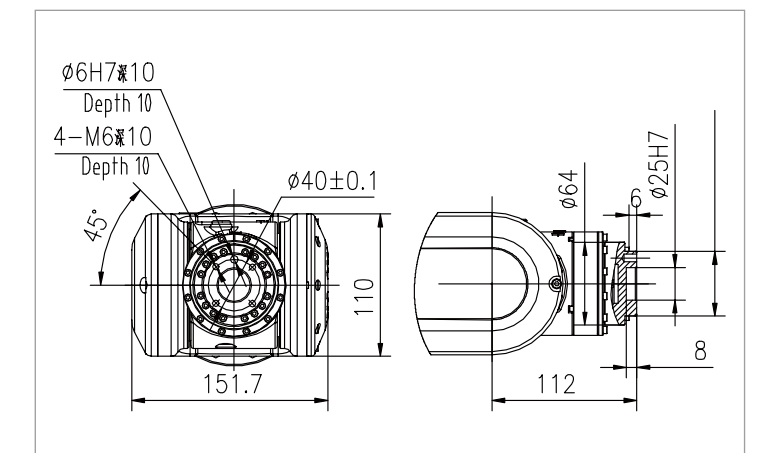
## OPERATING SPACE



## BASE MOUNTING SIZE



## END FLANGE MOUNTING SIZE



**EFORT INTELLIGENT EQUIPMENT CO.,LTD.**

PHONE: (00 86) 400-052-8877

ADDRESS: No.96 East Wanchun Road, China(Anhui) Pilot Free Trade Zone Wuhu Area, Wuhu, Anhui Province, China

WWW.EFORT.COM.CN