

# Medium-Large Payloads Robot

# ER35-2100



ER35-2100 is a medium payloads robot.  
Maxium payload 35 kg with maxium reach 2146 mm.

## Highlights

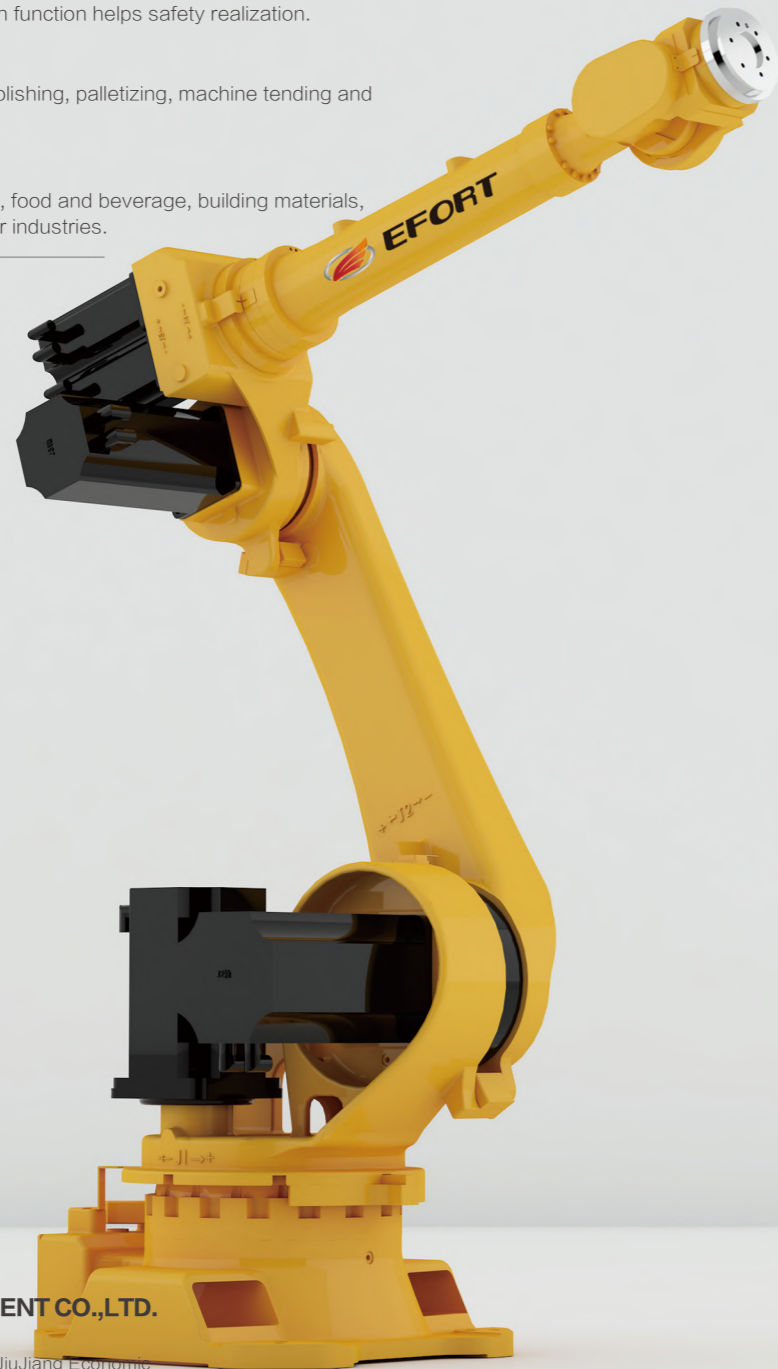
Thanks to the high stiffness structure, with high-speed intelligent palletizing application software, the takt is improved by 20%, bring customers more efficiency;  
Multiple specific application software could be integrated, with soft PLC and a variety of field bus interface, which enable customers easily face various application challenges;  
High performance collision detection function helps safety realization.

## Applications

It can be widely used in handling, polishing, palletizing, machine tending and other applications.

## Industries

Suitable for auto parts, photovoltaic, food and beverage, building materials, logistics and warehousing and other industries.



EFORT INTELLIGENT EQUIPMENT CO.,LTD.

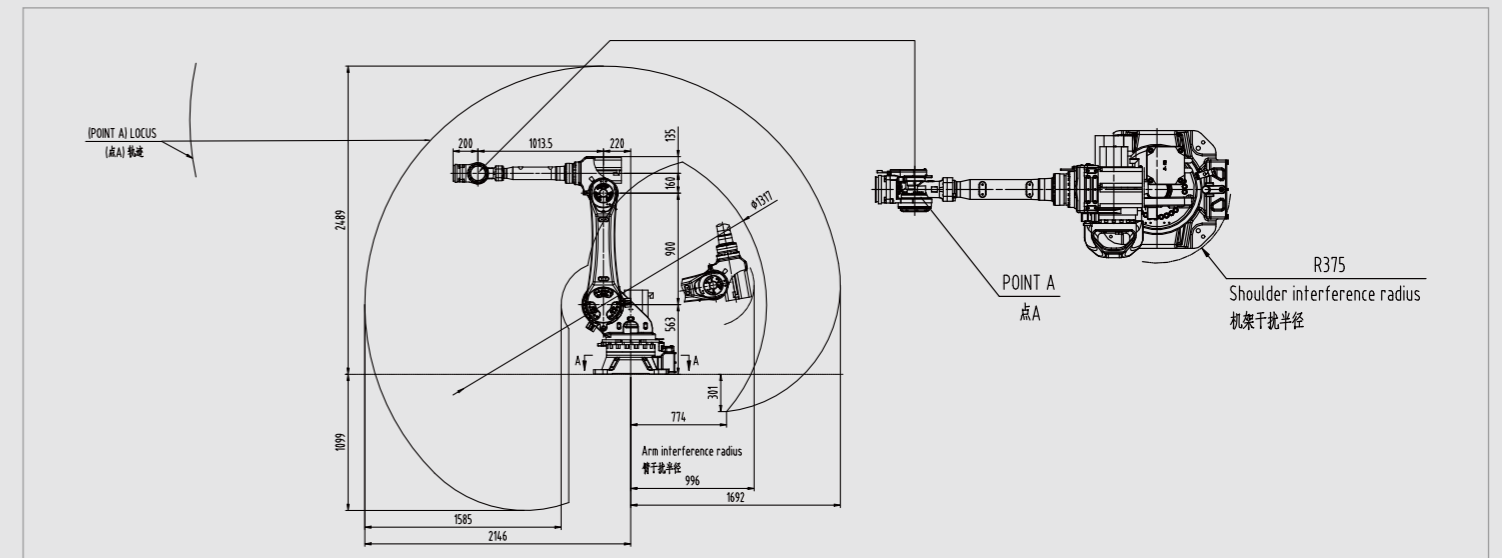
PHONE: (00 86) 400-052-8877  
ADDRESS: No.96 East WanChun Road, JiuJiang Economic Development Zone, Wuhu, Anhui, China  
WWW.EFORT.COM.CN

## SPECIFICATIONS

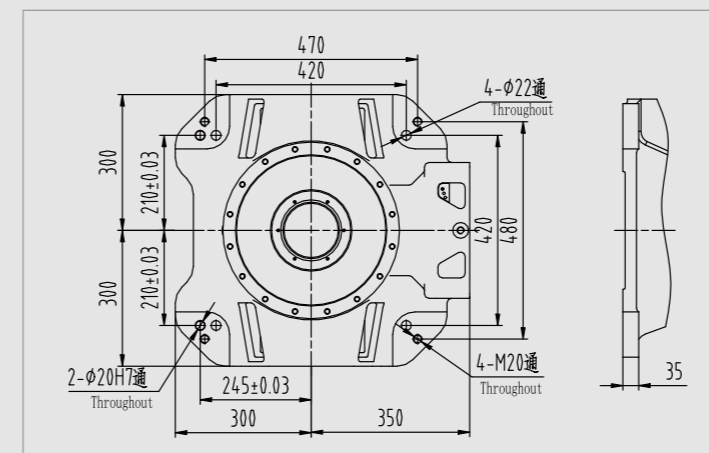
Model	ER35-2100	
Type	Articulated Type	
Controlled Axes	6 Axes	
Wrist Payload	35 kg	
Repeatability	± 0.06 mm	
Robot Weight	550 kg	
Reach	2146 mm	
Robot IP Grade	IP54/IP67 ( Wrist )	
Cabinet IP Grade	IP54	
Drive Method	Electric servo drive by AC servo motor	
Installation	Floor, Shelf	
Environment Requirements	Ambient Temperature	0~45 °C
	Humidity	< 80%/40°C ( No Condensation )
	Vibration Acceleration	4.9 m/s <sup>2</sup> ( < 0.5 G )

Allowable Torque	J4	182 N.m
	J5	182 N.m
	J6	120 N.m
Allowable Moment of Inertia	J4	12.68 kg.m <sup>2</sup>
	J5	12.68 kg.m <sup>2</sup>
	J6	10 kg.m <sup>2</sup>
Maximum Speed	J1	190°/sec
	J2	190°/sec
	J3	175°/sec
	J4	290°/sec
	J5	300°/sec
	J6	400°/sec
Motion Range	J1	± 180°
	J2	+70°/-130°
	J3	+175°/-80°
	J4	± 360°
	J5	± 115°
	J6	± 450°

## OPERATING SPACE



## BASE MOUNTING SIZE



## END FLANGE MOUNTING SIZE

