

Medium Payloads Robot

ER12-4-2000



ER12-4-2000 is a medium payloads robot.
Maxium payload 12 kg with maxium reach 2000 mm.

Highlights

Thanks to the optimization of stiffness and inertia brought by the new mechanical design, with advanced trajectory algorithm. The takt improved by 20%-30%; Compact cabinet design helps customers deploy the production line with more flexibility; IP67 wrist, high protection grade, to overcome harsh environment.

Applications

It can be widely used in handling, assembly, machine tending ,polishing, deburring, and other applications.

Industries

Suitable for logistics, photovoltaic and other industries.

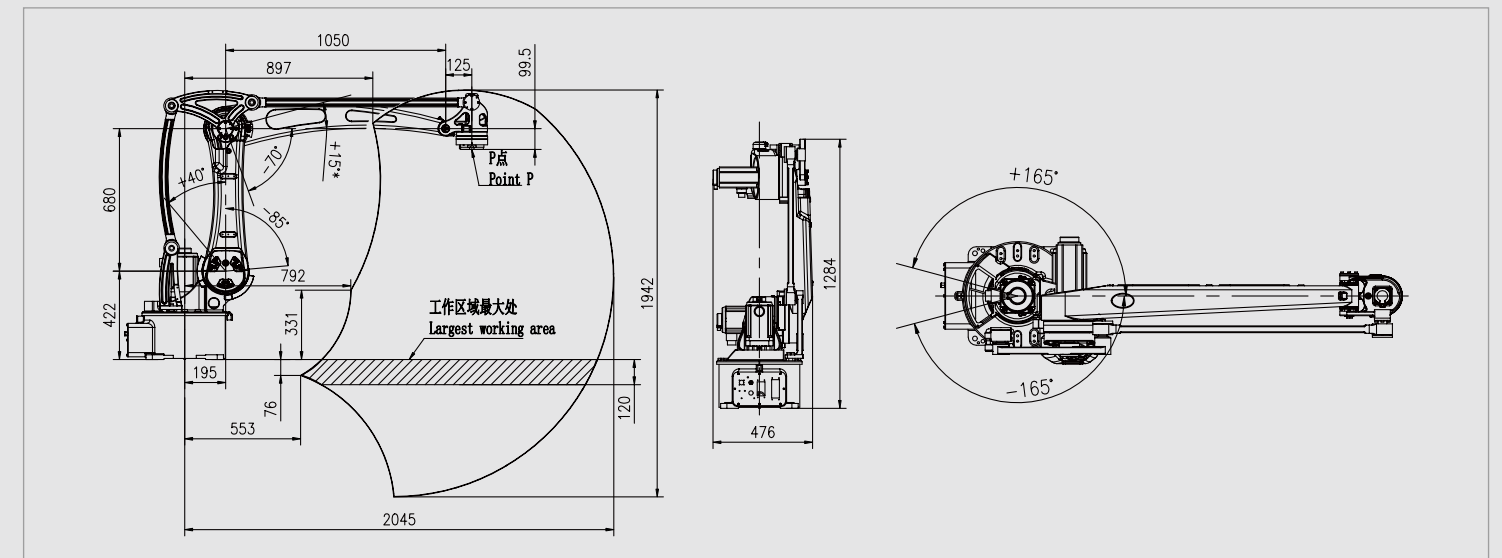


SPECIFICATIONS

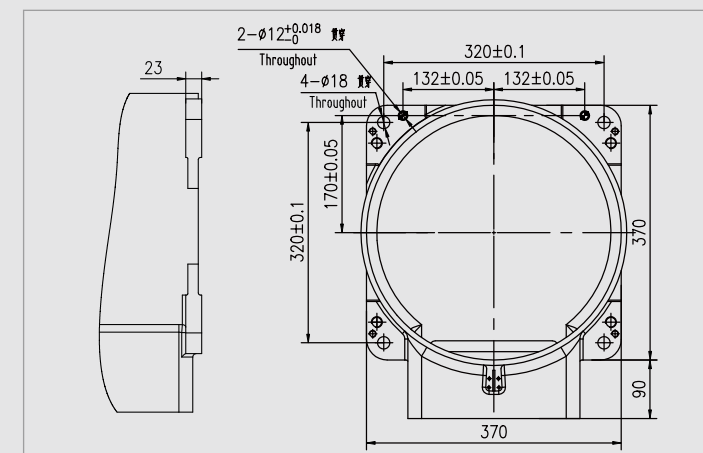
Model	ER12-4-2000	
Type	Articulated Type	
Controlled Axes	4 Axes	
Wrist Payload	12 kg	
Repeatability	± 0.07 mm	
Robot Weight	240 kg	
Reach	2000 mm	
Robot IP Grade	IP54	
Cabinet IP Grade	IP54	
Environment Requirements	Ambient Temperature	0-45 °C
	Humidity	< 80%/40°C (No Condensation)
	Vibration Acceleration	4.9 m/s ² (< 0.5 G)

Drive Method	Electric servo drive by AC servo motor	
Installation	Floor, Shelf	
Allowable Torque	J4	30 N.m
Allowable Moment of Inertia	J4	3.5 kg.m ²
Maximum Speed	J1	240°/sec
	J2	240°/sec
	J3	190°/sec
	J4	330°/sec
Motion Range	J1	± 165°
	J2	+40°/-85°
	J3	+100°/-70°
	J4	± 360°
	J2+J3	-90° ≤ (J2+J3) ≤ +15°

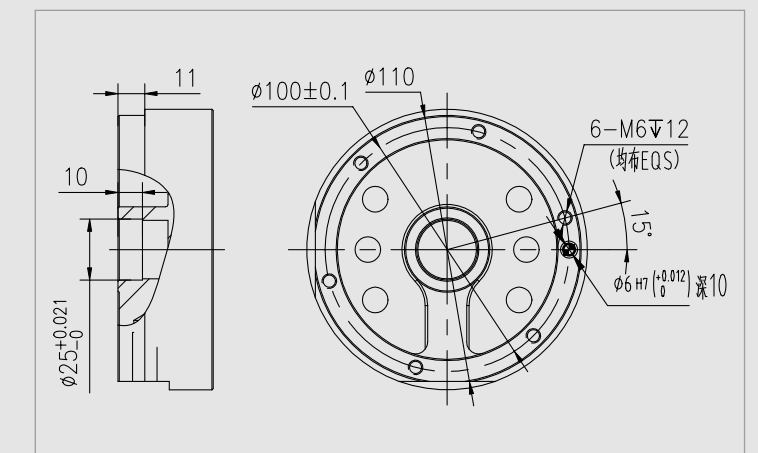
OPERATING SPACE



BASE MOUNTING SIZE



END FLANGE MOUNTING SIZE



EFORT INTELLIGENT EQUIPMENT CO.,LTD.

PHONE: (00 86) 400-052-8877
ADDRESS: No.96 East WanChun Road, JiuJiang Economic Development Zone, Wuhu, Anhui, China
WWW.EFORT.COM.CN