

# GR6160-3200

Maxium Reach:3240 mm /  
Wrist / Max Payload:16 kg

## Highlights

An economical painting robot, non-explosion-proof structure design; Orthogonal spherical wrist structure, large load, high stiffness, wide working range; Default painting application software, built-in I/Os, easy integration, simple programming; Especially suitable for painting furniture, large tank, board and frame parts; Non-explosion-proof robot.

## Applications

Specially designed for flat workpiece and similar application scenarios: such as wood doors, window frames, pipes, etc; Also can be used for multi-size regular parts spraying, such as containers.

## Industries

Suitable for furniture, logistics and other industries.



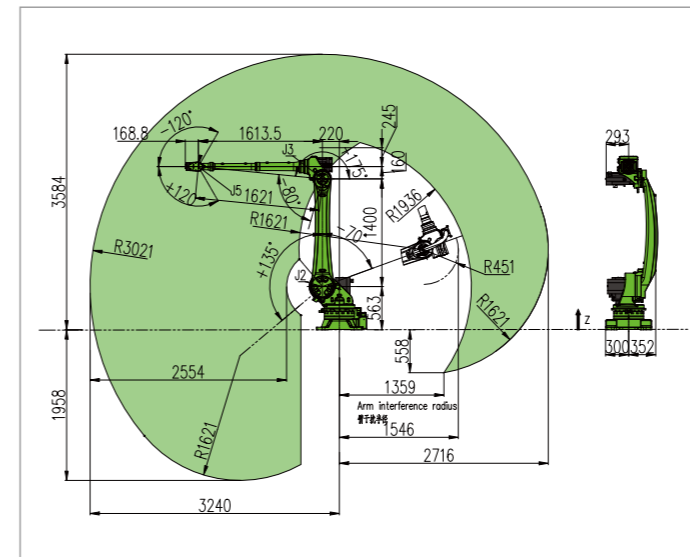
EFORT INTELLIGENT EQUIPMENT CO.,LTD.  
PHONE: (00 86) 400-052-8877  
ADDRESS: No.96 East WanChun Road, JiuJiang Economic  
Development Zone, Wuhu, Anhui, China  
WWW.EFORT.COM.CN



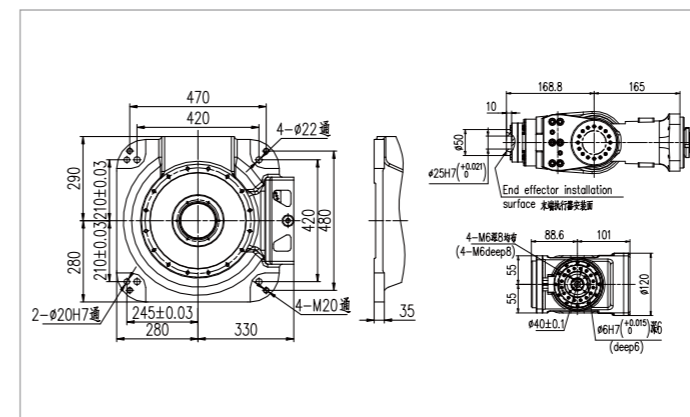
## SPECIFICATIONS

Wrist Payload	16 kg		
Reach	3240 mm		
Repeatability	± 0.15 mm		
Motion Range & Speed	Range	Speed	
	J1	± 180°	140°/s
	J2	+70°/-135°	140°/s
	J3	+175°/-80°	165°/s
	J4	± 360°	500°/s
	J5	± 120°	350°/s
Allowable Torque	J4	41 N.m	
	J5	41 N.m	
	J6	23 N.m	
Allowable Moment of Inertia	J4	1.6 kg.m <sup>2</sup>	
	J5	1.6 kg.m <sup>2</sup>	
	J6	0.3 kg.m <sup>2</sup>	

## OPERATING SPACE

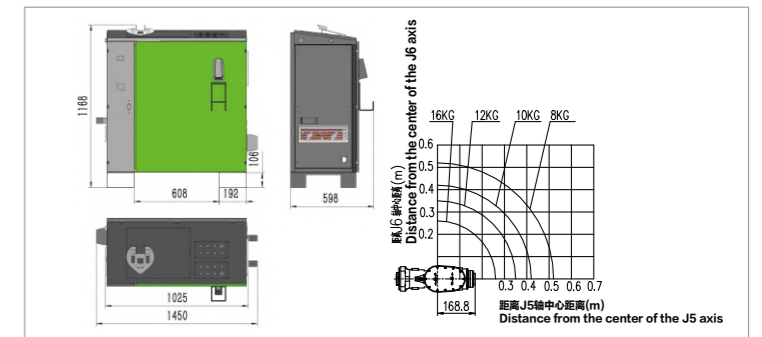


## BASE & END FLANGE MOUNTING SIZE



Structure	6-Axis Series Structure	
Installation	Floor	
Safety Level	EN ISO13849 PLd	
IP Grade	Robot	IP 65
	Cabinet	IP 54
Explosion-Proof	China	/
	ATEX-Gas	/
Environment Requirements	ATEX-Dust	/
	Voltage	AC380V( ± 10%)
	Power Capacity	5.0 kVA
Arm Payload	Temperature	0-45 °C
	Humidity	20-80RH ( No Condensation )
Weight	Outer Arm	5 kg
	Inner Arm	5 kg
Weight	Robot	600 kg
	Cabinet	160 kg

## CONTROL CABINET SIZE&WRIST END LOAD MAP



## SELECTION&CONFIGURATION TABLE

Item	Standard	Optional	
Driver	6 Axes	6+2~4 Axes	
Connector Cable	Static	Static	Flexible
	8 m	Max:30 m	
Pendant	10 m	Max:30 m	
DI/DO	12/12	Customized	
Safety DI/DO	/	/	
AI/AO	/	Customized	
Communication Mode	TCP/IP	ProfiBus Slave	ProfiNet Slave
Memory Capacity	1GB	/	
Connector	USB/TCP/IP	/	
Software Package	Painting Package	Visual Programming	
Program Mode	Pendant	Touch Panel	
Color	RAL6018	Customized	