

GR6150-2900

**Maxium Reach:2900 mm /
Hollow Wrist / Max Payload:15 kg**

Highlights

Large hollow wrist with possibility of paint pipeline arranged in the wrist, convenient integration;
The electric control cabinet complies with EN ISO13849 PLd security level and supports aux axis;
Standard painting application software, built-in I/Os, easy integration, simple programming;
ATEX explosion-proof certification of China and Eu, can be used in zone 1 gas and zone 21 dust dangerous operation environment.

Applications

Specially designed for painting applications in automotive industries: such as BIW, bumpers;
Also can be used for container, engineering vehicles and other large workpiece painting.

Industries

Suitable for automobile and auto parts, tricycle and other industries.



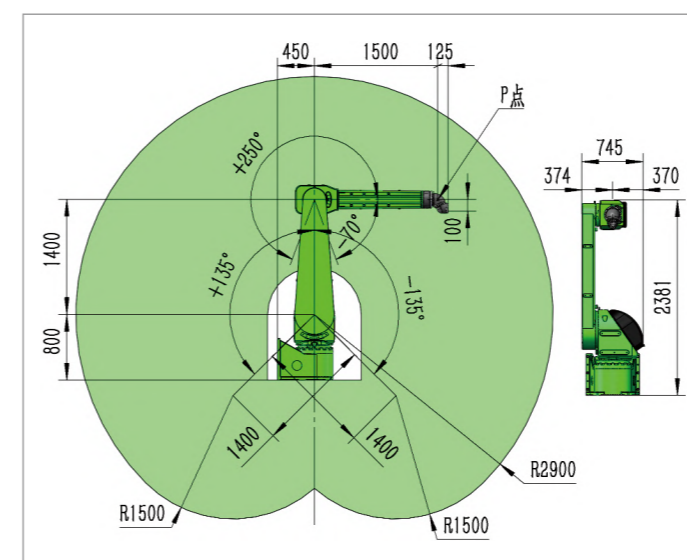
EFORT INTELLIGENT EQUIPMENT CO.,LTD.
PHONE: (00 86) 400-052-8877
ADDRESS: No.96 East WanChun Road, JiuJiang Economic Development Zone, Wuhu, Anhui, China
WWW.EFORT.COM.CN



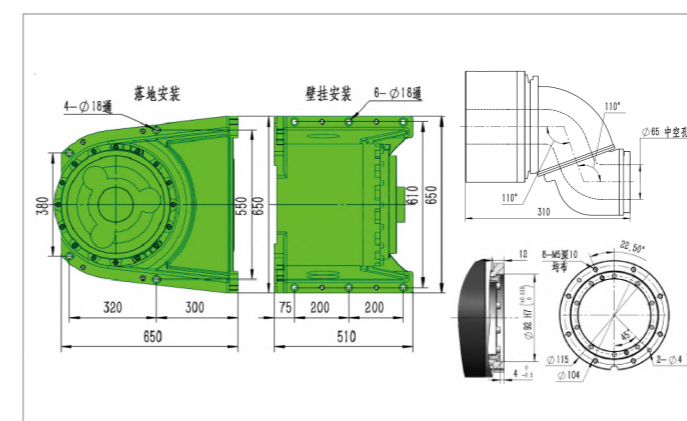
SPECIFICATIONS

Wrist Payload	15 kg		
Reach	2900 mm		
Repeatability	± 0.2 mm		
Motion Range & Speed	Range	Speed	
	J1	± 160°	120°/s
	J2	± 135°	120°/s
	J3	-75°/+250°	120°/s
	J4	± 540°	360°/s
	J5	± 540°	420°/s
Allowable Torque	J4	44.2 N.m	
	J5	28.8 N.m	
	J6	15.1 N.m	
Allowable Moment of Inertia	J4	1.17 kg.m ²	
	J5	0.87 kg.m ²	
	J6	0.15 kg.m ²	

OPERATING SPACE

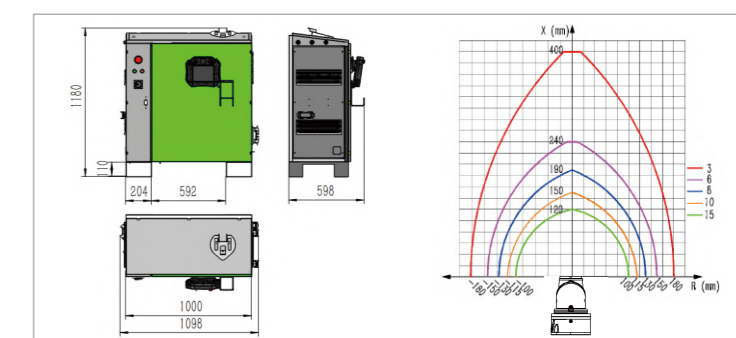


BASE & END FLANGE MOUNTING SIZE



Structure	6-Axis Series Structure	
Installation	Floor, Angel, Wall, Upside-down	
Safety Level	EN ISO13849 PLd	
IP Grade	Robot	IP 65
	Cabinet	IP 54
Explosion-Proof	China	Ex ib mb px IIC T4 Gb
	ATEX-Gas	II 2G Ex pxb IIC T4 Gb
	ATEX-Dust	II 2D Ex pxb IIIC T135°C Db
Environment Requirements	Voltage	AC380V(± 10%)
	Power Capacity	5.0 kVA
	Temperature	0-45 °C
	Humidity	20-80RH (No Condensation)
Arm Payload	Outer Arm	15 kg
	Inner Arm	15 kg
Weight	Robot	640 kg
	Cabinet	160 kg

CONTROL CABINET SIZE & WRIST END LOAD MAP



SELECTION & CONFIGURATION TABLE

Item	Standard	Optional	
Driver	6 Axes	6+2~4 Axes	
Connector Cable	Static	Static	Flexible
	8 m	Max:30 m	
Pendant	10 m	Max:30 m	
DI/DO	12/12	Customized	
Safety DI/DO	8/4	Customized	
AI/AO	/	Customized	
Communication Mode	TCP/IP	ProfiBus Slave	ProfiNet Slave
Memory Capacity	1GB	/	
Connector	USB/TCP/IP	/	
Software Package	Painting Package	Visual Programming	
Program Mode	Pendant	Touch Panel	
Color	RAL6018	Customized	