

GR630-1900

**Maxium Reach:1929 mm /
Lemma Wrist / Max Payload:3 kg**

Highlights

Self-teaching function with user friendly interface;
Lemma wrist, no singularity in the front, especially suitable for painting for in-the-front workpiece;
Painting application software is default in robot, with online tracking function, and aux axis integration possibility;
ATEX explosion-proof certification of China and EU, can be used in Zone 1 gas and Zone 21 dust dangerous operation environment;
Especially suitable for hardware parts, furniture, 3C plastic parts and other irregular shape parts.

Applications

Self-teaching function supported. Specially designed for small irregular shape parts painting: such as motor, reducer, water pump, valve, single cylinder engine, chair, nightstand, electric car, bicycle, motorcycle parts.

Industries

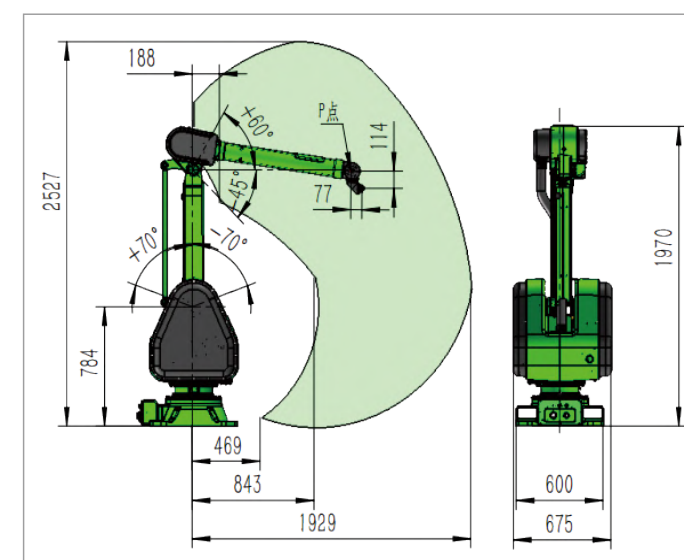
Suitable for metal parts, auto parts, furniture, motorcycle parts and other industries.



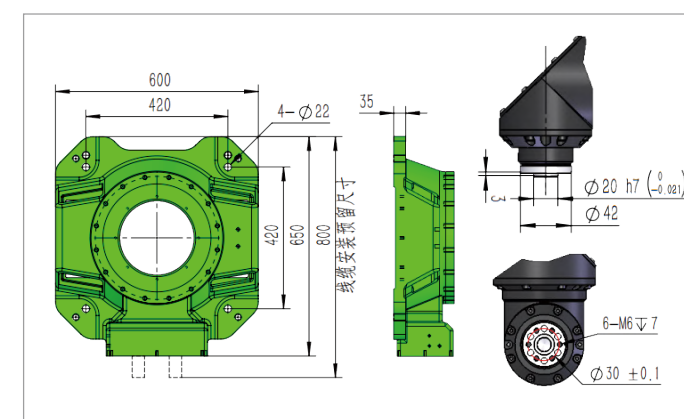
SPECIFICATIONS

Wrist Payload	3 kg		
Reach	1929 mm		
Repeatability	± 1 mm		
Motion Range & Speed		Range	Speed
	J1	± 120°	120°/s
	J2	± 70°	120°/s
	J3	+60°/-45°	120°/s
	J4	± 360°	540°/s
	J5	± 360°	540°/s
Allowable Torque	J4	9.8 N.m	
	J5	8.4 N.m	
	J6	3 N.m	
Allowable Moment of Inertia	J4	0.12 kg.m ²	
	J5	0.08 kg.m ²	
	J6	0.02 kg.m ²	

OPERATING SPACE

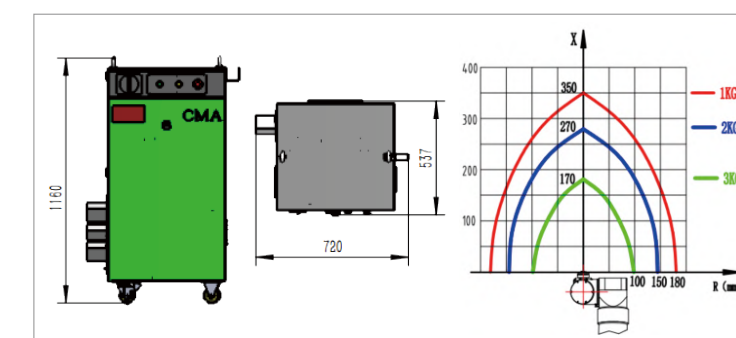


BASE & END FLANGE MOUNTING SIZE



Structure	6-Axis Series Structure	
Installation	Floor, Upside-down	
Safety Level	EN ISO13849 PLd	
IP Grade	Robot	IP 65
	Cabinet	IP 52
Explosion-Proof	China	Ex ib mb px IIC T4 Gb
	ATEX-Gas	II 2G Ex pxb IIC T4 Gb
	ATEX-Dust	II 2D Ex pxb IIIC T135°C Db
Environment Requirements	Voltage	AC380V(± 10%)
	Power Capacity	4.0 kVA
	Temperature	0-45 °C
Arm Payload	Outer Arm	3 kg
	Inner Arm	3 kg
	Weight	Robot
	Cabinet	90 kg

CONTROL CABINET SIZE&WRIST END LOAD MAP



SELECTION&CONFIGURATION TABLE

Item	Standard	Optional	
Driver	6 Axes	6+2 Axes	
Connector Cable	Static	Static	Flexible
	8 m	Max:30 m	
Pendant	10 m	Max:30 m	
DI/DO	16/16	Customized	
Safety DI/DO	8/4	Customized	
AI/AO	/	Customized	
Communication Mode	ProfiNet	EtherCAT	
Memory Capacity	512 Mb	/	
Connector	USB/TCPIP	/	
Software Package	Painting Package	Visual Programming	
Program Mode	Pendant	/	
Color	RAL6018	Customized	